

MOTO MORINI

**TRE
E
MEZZO**

Contents

Preface	4
Table 1 Crankcase	5
Table 2 Head, Cylinder, Rocker Cover, Intake Manifold	7
Table 2A Head, Cylinder, Rocker Cover, Rubber Intake Manifold	9
Table 3 Crankshaft, Cam, Valves, etc	11
Table 3A Crankshaft, Cam, Valves, etc	14
Table 3B Crankshaft	17
Table 4 Gearbox	18
Table 4A Gearbox	21
Table 5 Clutch, Kick Start Mechanism	24
Table 5A Clutch, Kick Start Mechanism	26
Table 6 Ignition	28
Table 7 Carburettor, Air Cleaner	29
Table 8 Exhaust	30
Table 9 Seat	31
Table 10 Tank, Side Covers	32
Table 11 Instruments	34
Table 11A Instruments	35
Table 12 Electrical Components	36
Table 12A Electrical Components	38
Table 12B Indicators	40
Table 13 Front Forks	41
Table 13A Front Forks (Standard Paioli)	42
Table 13B Front Forks (Standard Marzocchi)	44
Table 13C Front Forks (Sport Marzocchi)	46
Table 14 Mudguards	48
Table 15 Rear Spoked Hub (Sport)	50
Table 15A Rear Cast Wheel (Sport, Standard)	52
Table 16 Rear Spoked Hub (Standard)	54

Table 17	Frame	56
Table 17A	Rearset Footrests (Sport)	60
Table 18	Front Spoked Drum Hub (Standard)	61
Table 19	Front Spoked Drum Hub (Sport)	63
Table 19A	Front Spoked Disk Hub (Sport)	65
Table 19B	Front Cast Wheel (Sport, Standard)	67
Table 20	Cables	69
Table 20A	Handlebars (Drum brake)	70
Table 20B	Handlebars (Disk brake)	72

Preface

- This document is a list of spare parts for various types of the famous Moto Morini 3 $\frac{1}{2}$.
- This document is not the official spare-parts list from provided from Moto Morini. However, it is derived from it using the pictures and the data.
- It might be helpful for finding the code numbers the spare parts and give hints how they fit together – but it cannot replace the service manual.
- One may distribute this document, electronically or as a hardcopy, provided that this preface is included. **BUT IT MUST NOT BE SOLD!**
- This document comes with absolutely no guarantee of being complete or correct. Use it at your own risk.
- However, if you find an error, you may keep it or - which is definitely the better solution – report it to us: pabooth@bigpond.com or tre.e.mezzo@gmx.net
- We don't deal with Morinis or spare sparts - we just own and enjoy them.
- More Morini related literature can be found on Peter's marvelous webpage: <http://www.users.bigpond.com/pabooth/>
- Happy riding!

Northern Territory, Australia and Perugia, Italy, May 1999

Table 1: Crankcase

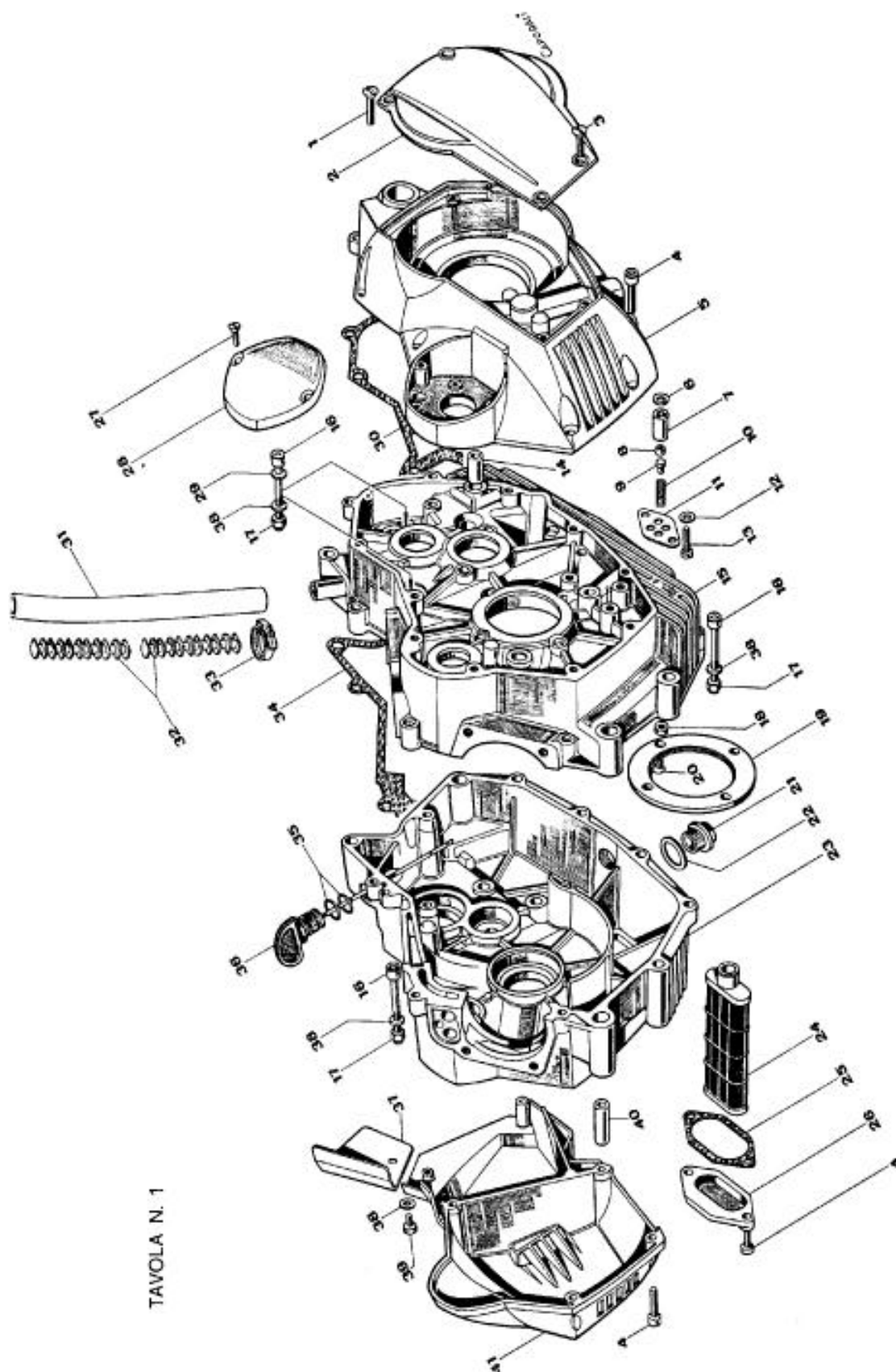
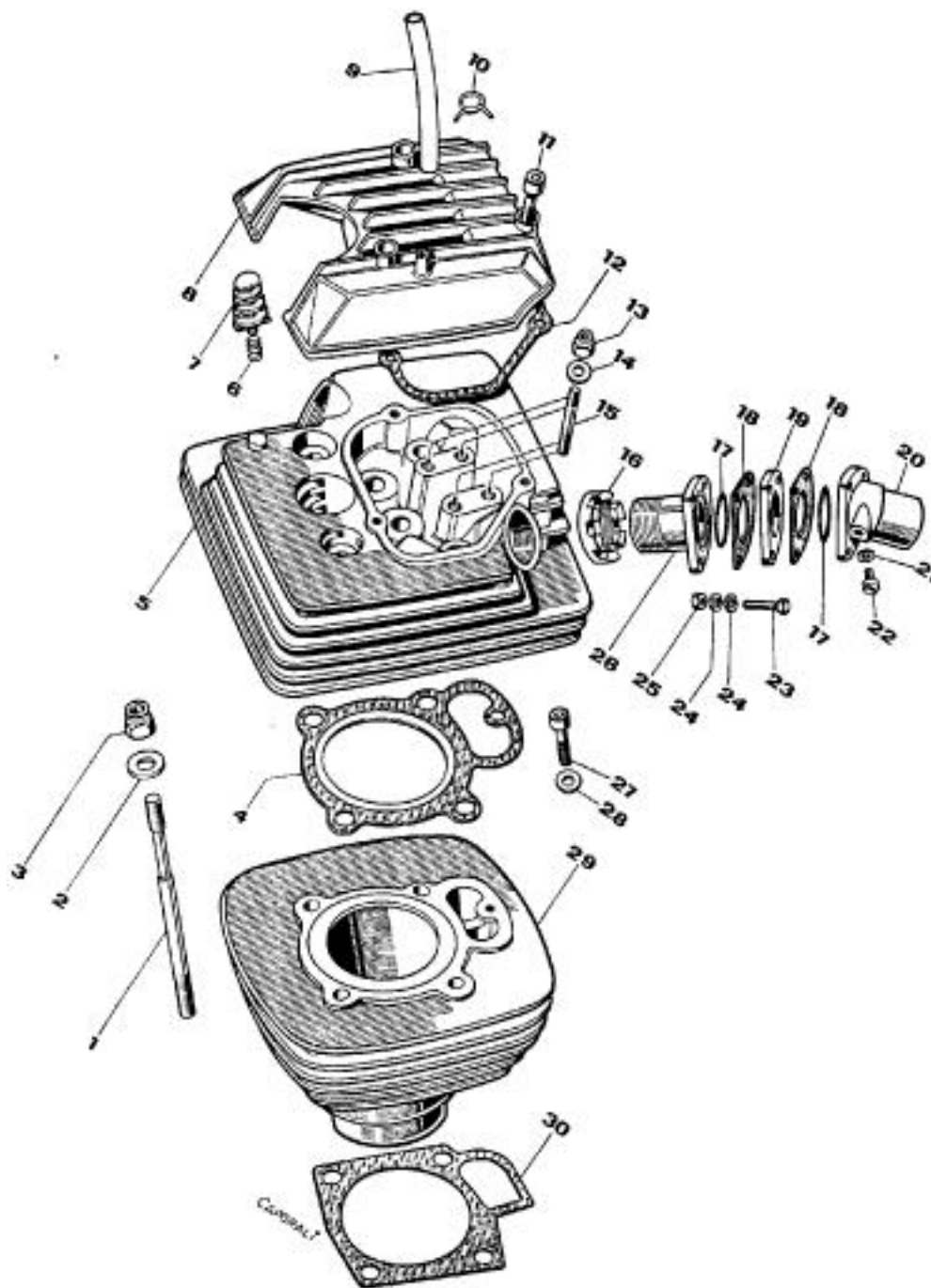


TAVOLA N. 1

No.	Code	Denominazione	Description
1	47.04.11	Vite TSC $\phi 5 \times 20$	Screw - TSC - $\phi 5 \times 20$
2	11.02.13	Coperchio ispez. frizione	Cover - Clutch inspection
3	47.04.09	Vite TSC $\phi 5 \times 16$	Screw - TSC - $\phi 5 \times 16$
4	47.06.05	Vite TCCE $\phi 6 \times 20$	Screw - TCCE - $\phi 6 \times 20$
5	11.02.10	Coperchio frizione	Cover - Clutch
6	13.04.09	Sede sfera	Seat - Ball
7	12.04.05	Canotto	Quill
8	24.03.06	Sfera r 8 mm.	Ball - 8 mm r.
9	13.04.08	Portamolla	Spring-Holder
10	22.01.38	Molla	Spring
11	15.05.05	Piestrina	Plate
12	47.07.02	Rondella $\phi 5 \times 11$	Washer - $\phi 5 \times 11$
13	47.02.19	Vite TC $\phi 5 \times 16$	Screw - TC - $\phi 5 \times 16$
14	13.04.02	Boccola riferimento	Locating bush
15	11.01.07	Semicarter sinistro	Half-case, left
16	47.06.03	Vite TCCE $\phi 6 \times 45$	Screw - TCCE - $\phi 6 \times 45$
17	47.03.13	Dado $6 \times 7,6$	Nut $6 \times 7,6$
18	47.03.04	Dado 6×5	Nut 6×5
19	15.05.01	Flangia	Flange
20	47.04.08	Vite TSCE $\phi 6 \times 22$	Screw - TSCE - $\phi 6 \times 22$
21	12.04.06	Tappo	Plug
22	21.01.62	Guarnizione	Gasket
23	11.01.08	Semicarter destro	Half-case, right
24	32.01.16	Filtro olio	Oil filter
25	21.01.63	Guarnizione	Gasket
26	11.02.15	Coperchio filtro olio	Cover - oil filter
27	47.04.10	Vite TS $\phi 4 \times 25$	Screw - TS - $\phi 4 \times 25$
28	11.02.14	Coperchietto ruttore	Contact breaker cover
29	21.01.53	Rondella rame	Copper washer
30	21.01.58	Guarnizione cop. sin.	Gasket left cover
31	14.07.11	Tubo sfiato carter	Pipe - Case breather
32	32.01.11	Labirinto sfiatatoio	Breather - labyrinth
33	26.01.15	Fascetta	Ring
34	21.01.57	Guarnizione centrale	Gasket - central
35	23.02.14	OR 119	OR 119
36	31.01.04	Asta livello olio	Dip stick
37	37.03.10	Carterino	Small case
38	47.07.03	Rondella 6×13	Washer - 6×13
39	47.01.37	Vite TE $\phi 6 \times 10$	Screw - TE - $\phi 6 \times 10$
40	13.04.01	Boccola riferimento	Locating bush
41	11.02.11	Coperchio lato volano	Cover - flywheel side

Table 2: Head, Cylinder, Rocker Cover, Intake Manifold

TAVOLA N. 2



No.	Code	Denominazione	Description
1	47.05.09	Prigioniero $\phi 9 \times 156$	Stud - $\phi 9 \times 156$
2	47.07.07	Rondella $\phi 8 \times 18$	Washer - $\phi 8 \times 18$
3	47.03.22	Dado $8 \times 10,4$	Nut - $8 \times 10,4$
4	21.01.60	Guarnizione testa	Gasket - head
5	10.01.11	Testa	Head
6	22.01.39	Molla	Spring
7	11.03.13	Sfiato coperchio testa	Breather - head cover
8	11.02.12	Coperchio testa	Cover - head
9	14.07.12	Tuba sfiato ant.	Pipe - breather front
	14.07.13	Tuba sfiato post.	Pipe - breather rear
10	22.01.45	Molla	Spring
11	47.06.02	Vita TCCE $\phi 6 \times 50$	Screw - TCCE - $\phi 6 \times 50$
12	21.01.61	Guarnizione coperchio testa	Gasket - head cover
13	47.03.10	Dado $\phi 7 \times 8,8$	Nut - $\phi 7 \times 8,8$
14	47.07.06	Rondella $\phi 7 \times 14$	Washer - $\phi 7 \times 14$
15	47.05.10	Prigioniero $\phi 7 \times 44$	Stud $\phi 7 \times 44$
16	12.04.08	Ghiera	Ferrule
17	23.02.16	OR 2112	OR - 2112
18	21.01.54	Guarnizione colet. asp.	Gasket - Intake manifold
19	31.01.05	Flangia antitermica	Antithermic flange
20	11.03.12	Collettore lato carburatore	Manifold - carburettor side
21	21.01.66	Guarnizione	Gasket
22	47.02.21	Vite TC $\phi 5 \times 8$	Screw - TC - $\phi 5 \times 8$
23	47.02.13	Vite TC $\phi 5 \times 25$	Screw - TC - $\phi 5 \times 25$
24	47.08.02	Rondella alas. $\phi 5$	Spring washer - $\phi 5$
25	47.03.03	Dado $\phi 5 \times 5$	Nut - $\phi 5 \times 5$
26	11.03.11	Collettore lato testa	Manifold - head side
27	47.06.01	Vite TCCE $\phi 6 \times 35$	Screw - TCCE $\phi 6 \times 35$
28	47.07.03	Rondella $\phi 6 \times 13$	Washer - $\phi 6 \times 13$
29	10.01.12	Cilindro	Cylinder
	10.01.13		
30	21.01.59	Guarnizione cilindro	Gasket - Cylinder

Table 2A: Head, Cylinder, Rocker Cover, Rubber Intake Manifold

TESTA - CILINDRO - COPERCHIO TESTA - COLLETTORE ASPIR. - TAVOLA N. 2A
HEAD - CYLINDER - HEAD COVER - INTAKE MANIFOLD COUPLING - TABLE No. 2A

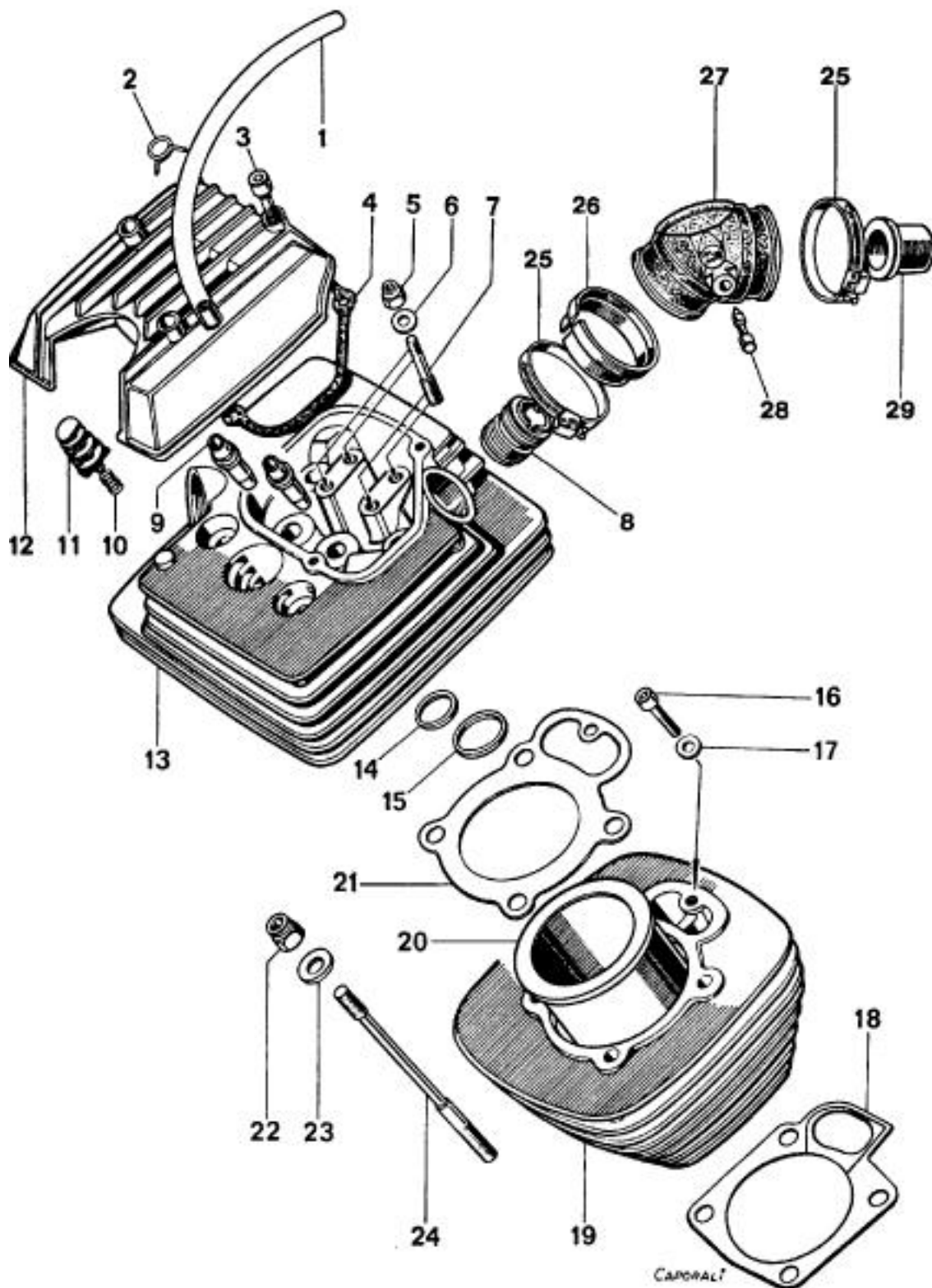
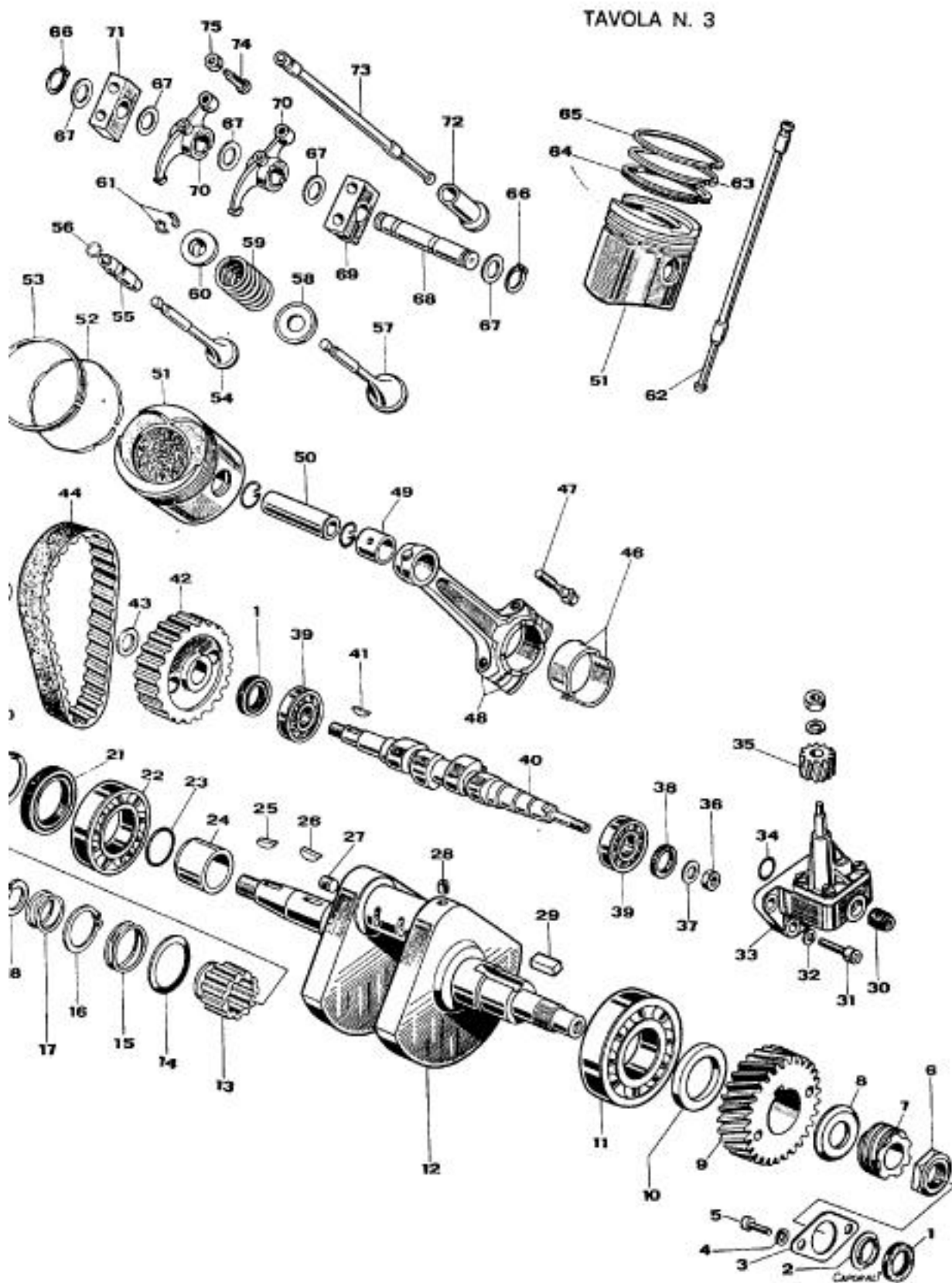


Table 2A

Head, Cylinder, Rocker Cover, Rubber Intake Manifold

No.	Code	Denominazione	Description
1	14.07.12	Tuba efiato anteriore	Breather front pipe
2	22.01.45	Molla	Spring
3	47.06.02	Vite T.C.C.E. $\phi 6 \times 50$ VT. 601	Cheese headed socket screw
4	21.01.61	Guarnizione coperchia testa	Head cover gasket
5	47.03.20	Dado autobloccante $\phi 7 \times 8,3$ VT. 322	Self locking nut
6	47.07.06	Rondella plane $\phi 7 \times 14$ VT. 706	Flat washer
7	47.05.10	Prigioniero bilancieri $\phi 8 \times 47$ VT. 521	Rockers stud bolt
8	13.04.39	Ghiera collegamento manicotto aspirazione	Intake plug connection ring nut
9	16.02.19	Boccola guide valvola	Valve guide bushing
10	22.01.39	Molla afiato coperchia testa	Head cover breather spring
11	11.03.13	Sfiato coperchio testa	Head cover breather
12	11.02.18	Coperchio testa	Head cover
13	10.01.11	Testa nuda	Bare head
14	16.02.07	Sede valvola scarico	Exhaust valve seat
15	16.02.08	Sede valvola aspirazione	Intake valve seat
16	47.06.01	Vita T.C.C.E. $\phi 6 \times 35$ VT. 600	Cheese headed socket screw
17	47.07.03	Rondella piana $\phi 6 \times 13$ VT. 702	Flat washer
18	21.01.59	Guarnizione base cilindro	Cylinder base gasket
19	10.01.12	Cilindro	Cylinder
20	10.01.13	Canne cilindro	Cylinder liner
21	21.01.60	Guarnizione testa	Head gasket
22	47.03.22	Dado autobloccante $\phi 8 \times 10,4$ VT. 324	Self locking nut
23	13.04.16	Rondella dadi testa	Head nuts washer
24	47.05.09	Prigioniero cilindro testa $\phi 9 \times 156$ VT. 520	Cylinder head stud
25	26.01.14	Fascetta stringi tuba tipo B5	Pipe clamp
26	32.01.32	Anello porta fascetta	Clamp holding ring
27	30.01.55	Manicotto collettore aspirazione	Intake manifold coupling
28	13.04.43	Tappo	Plug
29	32.01.42	Boccola	Bushing

Table 3: Crankshaft, Cam, Valves, etc



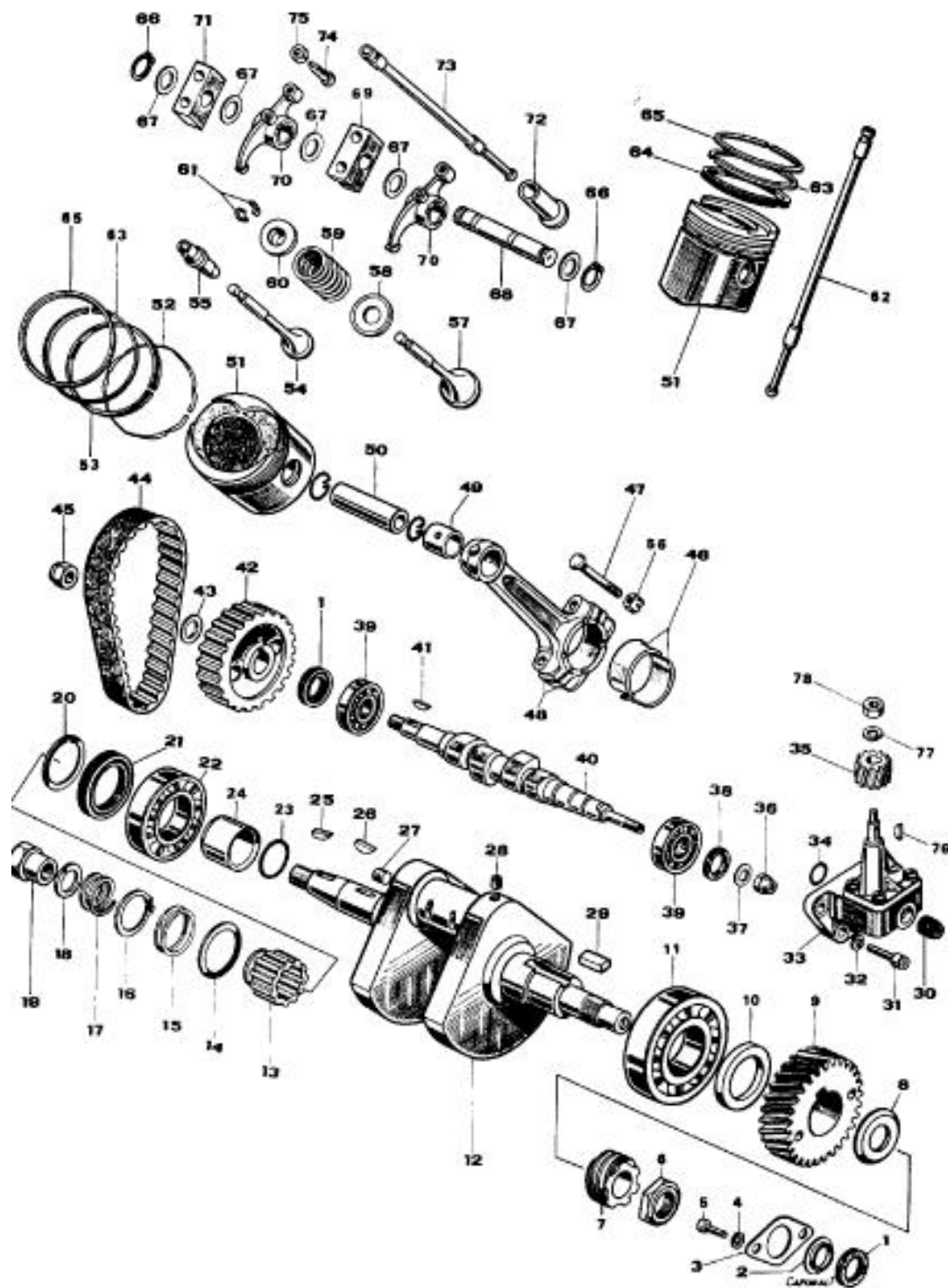
No.	Code	Denominazione	Description
1	23.01.10	Anello SM 15247	Ring SM 15247
2	15.05.07	Anello sostegno	Supporting ring
3	15.05.06	Piastrina	Plate
4	47.07.02	Rondella $\phi 5 \times 11$	Washer $\phi 5 \times 11$
5	47.02.19	Vite TC $\phi 5 \times 16$	Screw TC $\phi 5 \times 16$
6	47.03.01	Dado $\phi 18 \times 8,4$	Nut $\phi 18 \times 8,4$
7	14.04.02	Vite senza fine	Worm
8	13.04.03	Rondella ing. motore	Washer - engine gear
9	14.04.01	Pignone motore	Pinion - engine
10	14.05.09	Distanziale	Spacer
11	24.01.10	Cuscinetto 6306	Bearing - 6306
12	12.04.01	Albero motore	Driving shaft
13	19.01.09	Rocchetto corn. distrib.	Sprocket - timing gear
14	15.05.04	Rondella esterna	Washer - outer
15	22.01.44	Molla	Spring
16	27.01.09	Seeger A 27 \times 1,2	Circlip A 27 \times 1,2
17	22.01.37	Molla	Spring
18	47.08.10	Rondella AZ $\phi 18$	Washer AZ $\phi 18$
19	47.03.23	Dado $\phi 14 \times 17$	Nut $\phi 14 \times 17$
20	15.05.03	Rondella interna	Washer - inner
21	23.01.12	Anello SM 30407	Ring - SM 30407
22	24.01.09	Cuscinetto 6206	Bearing - 6206
23	23.02.15	OR 2087	OR 2087
24	14.04.03	Boccola cuscinetto	Bush - bearing
25	28.01.16	Chiavetta 3 \times 5 R 6,5	Key - 3 \times 5 R 6.5
26	28.01.15	Chiavetta 3 \times 6,5 R B	Key - 3 \times 6.5 R B
27	26.01.09	Tappo $\phi 12 \times 1,5$	Plug $\phi 12 \times 1,5$
28	26.01.08	Tappo $\phi 8 \times 1$	Plug $\phi 8 \times 1$
29	28.01.13	Chiavetta $\phi 8 \times 7 \times 20$	Key - 8 \times 7 \times 20
30	23.02.18	Boccola pompa olio	Bush - oil pump
31	47.06.05	Vite TCCE $\phi 6 \times 20$	Screw - TCCE - $\phi 6 \times 20$
32	47.08.03	Rondella elastica $\phi 6$	Spring washer $\phi 6$
33	19.01.02	Pompa olio	Oil pump
34	23.02.13	OR 114	OR 114
35	14.06.09	Ingranaggia elicoidale pompa	Helical gear - pump
36	47.03.20	Dada $\phi 7 \times 8,8$	Nut - $\phi 7 \times 8,8$
37	47.07.06	Rondella $\phi 7 \times 14$	Washer - $\phi 7 \times 14$
38	23.01.11	Anello SMIM 13.265	Ring - SMIM - 13.265
39	24.01.05	Cuscinetto 6202	Bearing - 6202
40	12.04.03	Asse a camma	Cam shaft
41	28.01.14	Chiavetta 4 \times 5 R 6,5	Key - 4 \times 5 R 6.5
42	12.04.04	Puleggia condotta	Driven pulley
43	47.07.09	Rondella $\phi 10 \times 21$	Washer - $\phi 10 \times 21$
44	29.01.07	Cinghia distribuzione	Belt - timing gear
45	47.03.27	Dada $\phi 10 \times 9,1$	Nut $\phi 10 \times 9,1$
46	25.03.07	Semicuscinetti	Half-bearings
47	47.01.47	Vite TE testa biella	Screw - TE - big end
48	12.04.02	Biella	connecting rod
49	25.03.06	Boccola spinotto	Bush - piston pin
50	19.01.16	Spinotto pistone	Piston pin

continued on next page

<i>continued from previous page</i>			
No.	Code	Denominazione	Description
51	17.01.08	Pistone	Piston
52	17.02.29	Molletta	Spring
53	17.02.27	Segmento ROF	Piston ring - ROF
54	16.01.06	Valvola scarico	Exhaust valve
55	16.02.15	Guida	Guide
56	22.01.36	Anello guida valvola	Ring - valve guide
57	16.01.07	Valvola aspirazione	Intake valve
58	15.05.02	Scodellino	Valve spring retainer
59	22.01.47	Molla valvola	Spring - valve
60	14.04.04	Piattello	Keeper
61	13.04.06	Semiconi	Semiconic seat - valve
62	14.06.05	Asta punteria posteriore	Stem - tappet - rear
	13.04.05		
	13.04.07		
63	17.02.23	Segmento ROS	Ring - ROS - piston
64	17.02.25	Segmento ROF	Ring - ROF - piston
65	17.02.21	Segmento ACK	Ring - ACK - piston
66	19.01.08	Seeger	Seeger
67	19.01.07	Rondella	Washer
68	19.01.06	Spinotto bilancieri	Pivot - rocker-arms
69	19.01.04	Supporto bilancieri tagliato	Split holder - rocker arms
70	19.01.03	Bilanciere	Rocker arm
71	19.01.05	Supporto bilanciere	Holder - rocker arm
72	14.04.05	Punteria	Tappet
73	14.06.06	Asta punteria anteriore	Stem - tappet - front
	13.04.05		
	13.04.07		
74	13.04.04	Registro punteria	Adjuster - tappet
75	47.03.26	Dado 6× ϕ 0,75×5	Nut 6×0,75×5

Table 3A: Crankshaft, Cam, Valves, etc

TAVOLA N. 3 A - TABLE No. 3 A



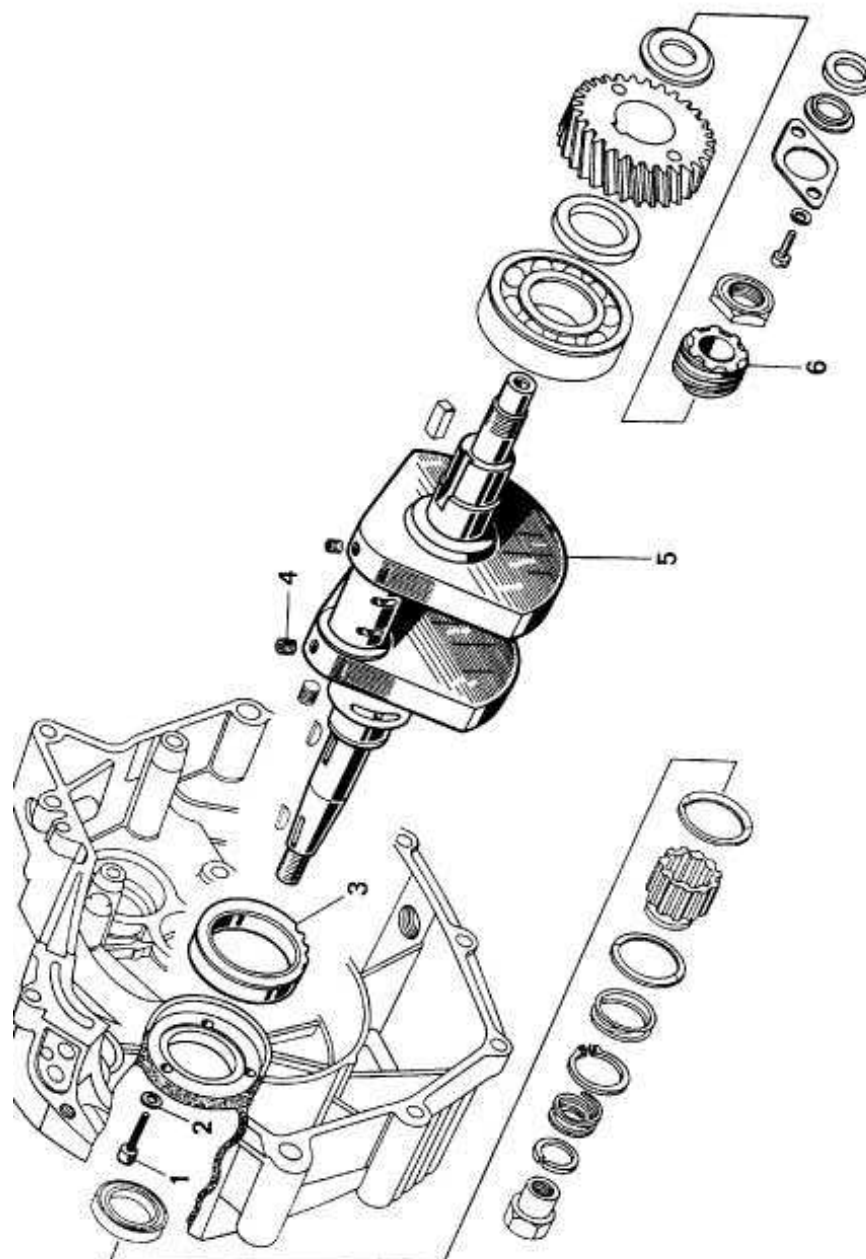
No.	Code	Denominazione	Description
1	23.01.10	Anello SM 15247	Ring - SM 15247
2	15.05.07	Anello sostegno	Supporting ring
3	15.05.06	Piastrina	Plate
4	47.07.02	Rondella $\phi 5 \times 11$ VT. 701	Washer $\phi 5 \times 11$ VT. 701
5	47.02.19	Vite TC $\phi 5 \times 16$ VT. 228	Screw - TC - $\phi 5 \times 16$ VT.228
6	47.03.01	Dado $\phi 18 \times 8,4$ 173.3029	Nut - $\phi 18 \times 8,4$ 173.3029
7	14.04.02	Vita senza fine (GP.)	Worm screw
8	13.04.03	Rondella ing. motor.	Washer - engine gear
9	14.04.01	Pignone motore	Pinion - engine
10	14.05.09	Distanziale	Spacer
11	24.01.10	Cuscinetto 6306 30.72.19	Bearing - 6306 30.72.19
12	12.04.01	Albero motore	Driving shaft
13	19.01.09	Roochetto corn. distrib.	Sprocket - timing gear
14	15.05.04	Rondella esterna	Washer - outer
15	22.01.44	Molla	Spring
16	27.01.09	Anello Seeger A 27 \times 1,2	Seeger ring - A 27 \times 1,2
17	22.01.37	Molla	Spring
18	47.08.09	Rondella EL $\phi 14$	Washer - EL $\phi 14$
19	47.03.23	Dado $\phi 14 \times 17$ VT. 327	Nut - $\phi 14 \times 17$ VT. 327
20	15.05.03	Rondella Interna	Washer - inner
21	23.01.12	Anello SM 30407	Ring - SM 30407
22	24.01.09	Cuscinetto 6206 30.62.16	Bearing - 6206 30.62.16
23	23.02.15	Anello OR 2067	OR Ring 2087
24	14.04.03	Boccola cuscinetto	Bush - bearing
25	28.01.16	Chiavetta 3 \times 5 R 6,5 (Albero motore)	Key - 3 \times 5 R 6.5
26	28.01.15	Chiavetta 3 \times 6,5 R 8 (Albero motore)	Key . 3 \times 6.5 R 8
27	26.01.09	Tappo $\phi 12 \times 1,5$ M.	Plug. $\phi 12 \times 1,5$ M.
28	26.01.06	Tappo $\phi 8 \times 1$ M.	Plug - $\phi 8 \times 1$ M.
29	28.01.13	Chiavetta 8 \times 7 \times 20 (Pignone motore)	Key - 8 \times 7 \times 20
30	23.02.18	Anello raccordo pompa	Pump connecting ring
31	47.06.05	Vite TCCE $\phi 6 \times 20$ VT. 604	Screw - TCCE - $\phi 6 \times 20$ VT. 604
32	47.06.03	Rondella elastica $\phi 6$	Spring washer - $\phi 6$
33	19.01.02	Pompa olio (senza ingranaggio elicoidale)	Oil pump
34	23.02.13	Anello OR 114	OR Ring 114
35	14.06.09	Ingranaggio elicoidale pompa	Helical gear - pump
36	47.03.20	Dado autobloccante $\phi 7 \times 8,8$ VT. 322	Self-locking nut $\phi 7 \times 8,8$ VT. 322
37	47.07.06	Scodellino	Cup
38	23.01.11	Anello SMIM 13.265	Ring - SMIM - 13.265
39	24.01.05	Cuscinetti 6202 15.35.11	Bearing -6202 15.35.11
40	12.04.03	Asse a camma	Cam shaft
41	28.01.14	Chiavetta 4 \times 5 R 6,5 (Albero camma)	Key - 4 \times 5 R 6,5
42	12.04.04	Puleggia condotta	Driven pulley
43	47.07.09	Rondella $\phi 10 \times 21$ VT. 709	Washer - $\phi 10 \times 21$ VT. 709
44	29.01.07	Cinghia distribuzione	Belt - timing gear
45	47.03.27	Dada $\phi 10 \times 9,1$ VT. 331	Nut - $\phi 10 \times 9,1$ VT. 331
46	25.03.07	Semicuscinetti 22527	Half-bearings 22527
47	47.01.56	Tirante	Tie rod
48	12.04.02	Biella	connecting rod
49	25.03.06	Boccola spinoff	Bush - piston pin
50	19.01.16	Spinotto pistons	Piston pin

continued on next page

<i>continued from previous page</i>			
No.	Code	Denominazione	Description
51	17.01.08	Pistone	Piston
52	17.02.29	Molletta (cil. ant.)	Spring
53	17.02.27	Segmento ROF (cil. ant.)	Piston ring - ROF
54	16.01.06	Valvola scarico	Exhaust valve
55	16.02.19	Boccola guida valvola	Valve guide bushing
56	47.03.31	Dado $\phi 8 \times 1 \times 8$ VT.334	Nut - $\phi 8 \times 1 \times 8$ VT.334
57	16.01.07	Valvola aspirazione	Intake valve
58	15.05.02	Scodellino	Valve spring retainer
59	22.01.47	Molla valvola	Spring - valve
60	14.04.04	Piattello valvola	Keeper valve
61	13.04.06	Semiconi valvola	Semiconic seat - valve
62	14.06.05	Asta punteria posteriore	Stem - tappet - rear
	13.04.05		
	13.04.07		
63	17.02.23	Segmento ROS	Ring - ROS - piston
64	17.02.25	Segmento ROF (cil. post.)	Ring - ROF - piston
65	17.02.21	Segmento ACK	Ring - ACK - piston
66	19.01.06	Anello Seeger $\phi 12$	Seeger ring $\phi 12$
67	19.01.07	Rondella	Washer
68	19.01.06	Spinotto bilancieri	Pivot Rocker arms
69	19.01.04	Supporto bilancieri tagliato	Split holder - rocker arms
70	19.01.03	Bilanciere	Rocker arm
71	19.01.05	Supporto bilanciere	Holder - rocker arm
72	14.04.05	Punteria	Tappet
73	14.06.06	Asta punteria anteriore	Stem - tappet - front
	13.04.05		
	13.04.07		
74	13.04.04	Registro punteria	Adjuster - tappet
75	47.03.26	Dado $\phi 6 \times 0,75 \times 5$ VT.330	Nut $\phi 6 \times 0,75 \times 5$ VT. 330
76	28.01.20	Chiavetta 2 $\times 3,7$ R.10 (Ingr. pomp.)	Key 2 $\times 3.7$ R.10
77	47.08.05	Rondella elastica $\phi 8$	Spring washer - $\phi 8$
78	47.03.34	Dada $\phi 8 \times 1 \times 8$	Nut - $\phi 8 \times 1 \times 8$
	17.01.09	Pistone NORMALE maggiorato	Oversized Standard Piston
	17.01.10	Pistone SPORT	Sport Piston
	17.01.11	Pistone SPORT maggiorato	Oversized Sport Piston
	17.02.22	Segmento ACK maggiorato	ACK Oversized Piston Ring
	17.02.24	Segmento ROS maggiorato	ROS Oversized Piston Ring
	17.02.26	Segmento ROF maggiorato	ROF Oversized Piston Ring
	17.02.28	Segmento ROF maggiorato	ROF Oversized Piston Ring

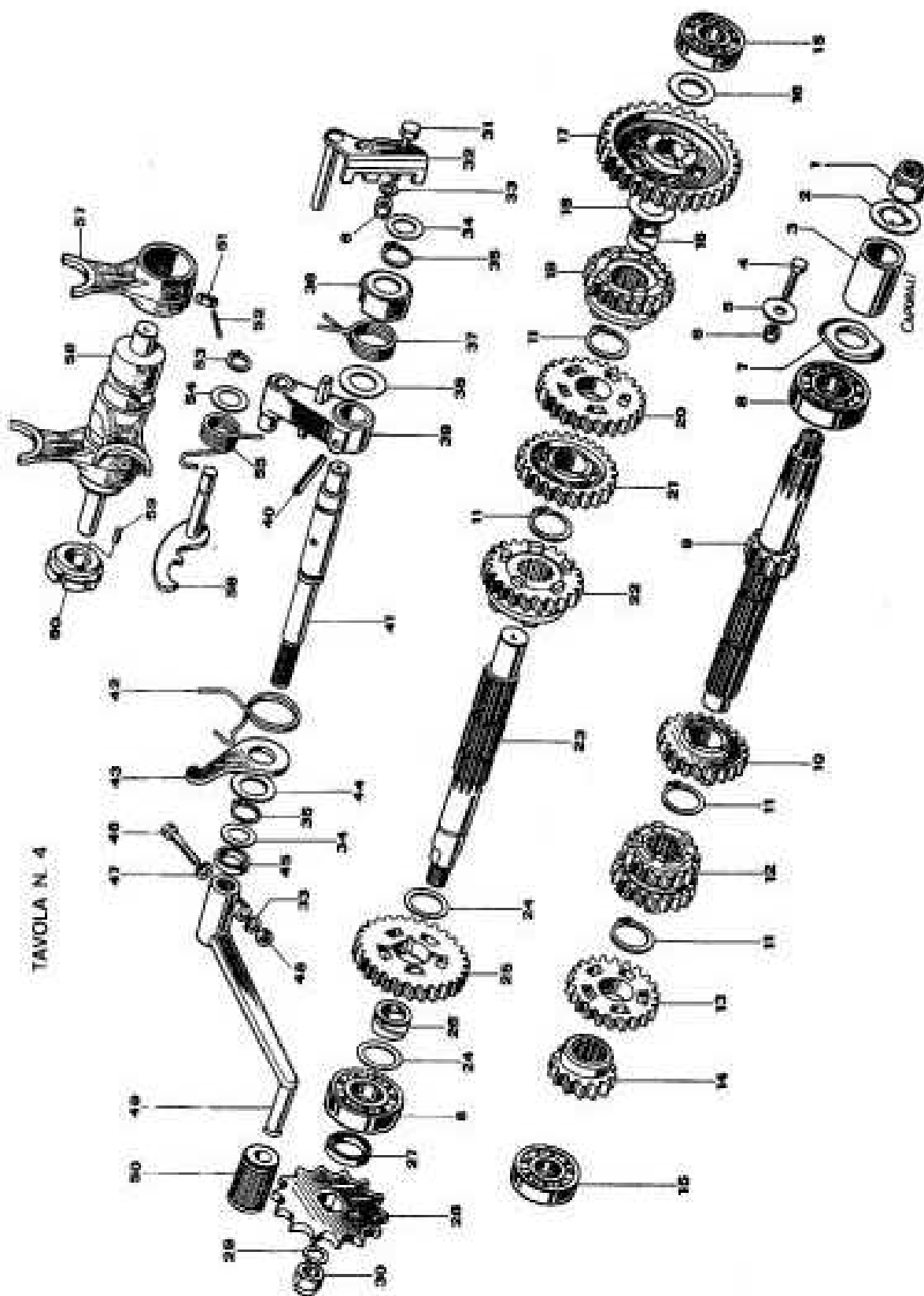
Table 3B: Crankshaft

TAVOLA 3 B - TABLE No. 3 B



No.	Code	Denominazione	Description
1	47.06.16	Vite T.C.C.E. $\phi 4 \times 18$ VT. 611	Cheese - headed socket screw $\phi 4 \times 18$ VT. 611
2	21.01.82	Rondella rams $\phi 4 \times 8$	Copper washer - $\phi 4 \times 8$
3	12.04.19	Bussola porta bronzina	Brass - bearing Supporting Bushing
	25.03.11	Boccola avvolta bimetallic. P.006	Bi-metal Rolled Bush P. 006
4	26.01.08	Tappo INFA $\phi 8 \times 1$ M.	INFA plug - $\phi 8 \times 1$ M.
5	12.04.01	Albero motors	Driving shaft
6	14.04.28	Vito senza fine (7P.)	Worm screw

Table 4: Gearbox

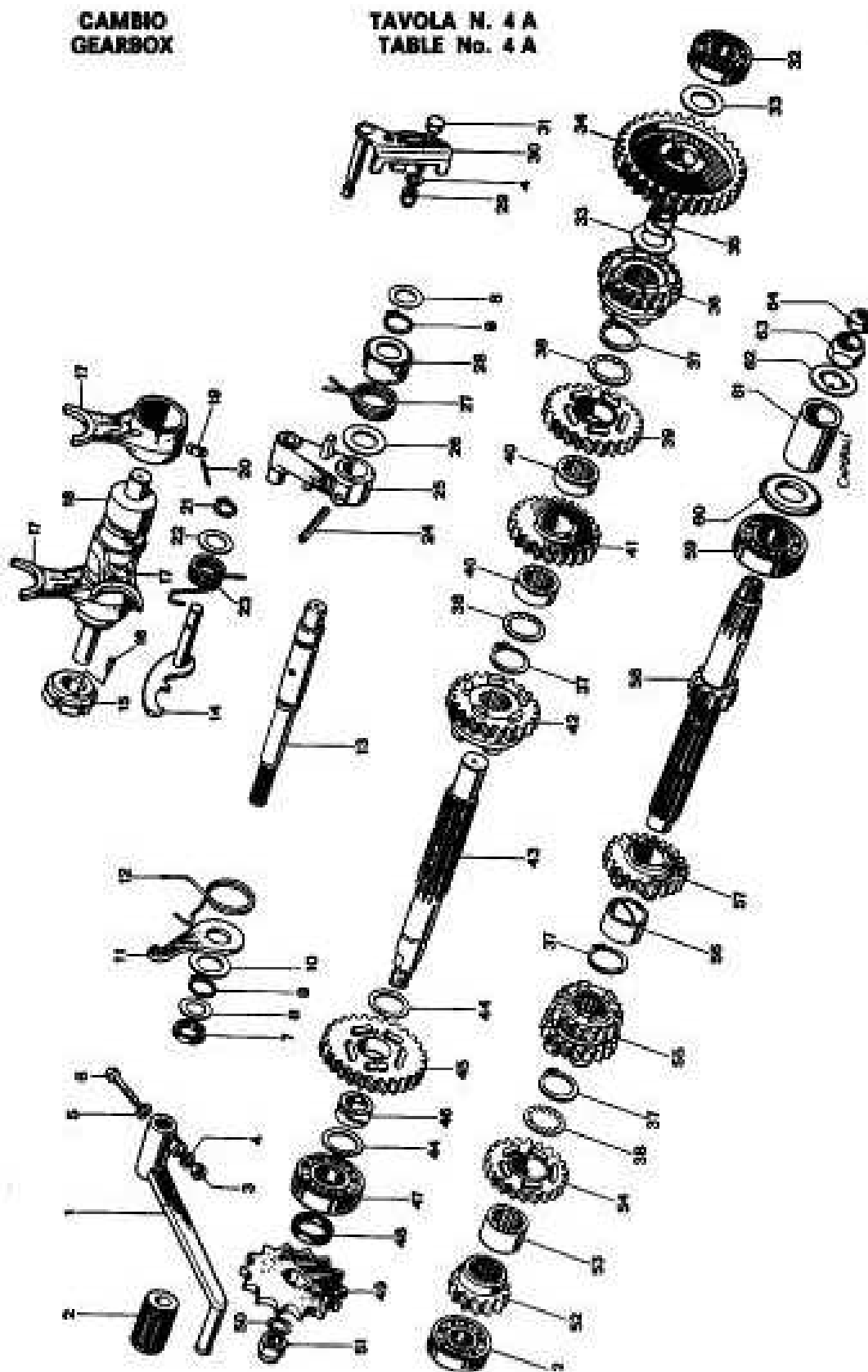


No.	Code	Denominazione	Description
1	47.03.24	Dada $\phi 14 \times 8$	Nut $\phi 14 \times 8$
2	15.08.13	Rondella fenna dada	Washer - nut locking
3	14.04.12	Boccola Ing. frizione	Bush - clutch 90W
4	47.01.08	Vite TE $\phi 8 \times 22$	Screw TE - $\phi 8$
5	15.05.15	Rondella femia cuscinetto	Washer - bearing locking
8	47.03.13	Dado $6 \times 7,6$	Nut - $6 \times 7,6$
7	15.05.13	Rondella	Washer
8	24.01.07	Cuscinetto 8204	Bearing - 6204
9	18.01.06	Albero primario	Mainshaft
10	18.02.19	Ing. V prim.	Gear - 5th on mainshaft
11	27.01.10	Seeger A $21 \times 1,2$	Circlip A 21×12
12	18.02.18	Ing. III a IV prim.	Gear - 3rd and 4th on mainshaft
13	18.02.20	Ing. VI prim.	Gear - 6th on mainshaft
14	18.02.17	Ing. II prim.	Gear - 2nd on mainshaft
15	24.01.01	Cuscinetto 6203	Bearing - 6203
16	15.05.17	Rondella	Washer
17	18.02.21	Ing. I sec.	Gear - 1st on layshaft
18	25.01.11	Boccola	Bush
19	18.02.25	Ing. V sec.	Gear - 5th on layshaft
20	18.02.23	Ing. III sec.	Gear - 3rd on layshaft
21	18.02.24	Ing. IV sec.	Gear - 4th on layshaft
22	18.02.26	Ing. VI sec.	Gear - 6th on layshaft
23	18.01.07	Albero secondario	Layshaft
24	15.05.16	Rondella	Washer
25	18.02.22	Ing. II sec.	Gear - 2nd on layshaft
26	25.01.12	Boccola	Bush
27	23.01.15	Anello SM 30307	Ring - SM 20307
28	19.01.23	Pignone catena	Pinion - chain
29	47.08.08	Rondella elastica $\phi 14$	Spring washer - $\phi 14$
30	47.03.28	Dado $\phi 14 \times 13,8$	Nut. $\phi 14 \times 13,8$
31	47.01.36	Vite TE 6×25	Screw - TE - 6×25
32	15.05.18	Piastra fermo	Plate - retainer
33	47.08.03	Rondella elastica $\phi 6$	Spring washer - $\phi 6$
34	15.05.25	Rondella rasamento	Clearance washer
35	27.01.08	Seeger A $18 \times 1,2$	Circlip.A $18 \times 1,2$
36	15.05.19	Scodellino	Seat
37	22.01.41	Molla	Spring
38	15.05.20	Rondella	Washer
39	11.03.15	Leva comando selezionatore	Lever - selector control
40	26.01.12	Spina SP 5×36	Pin - SP 5×36
41	14.04.15	Albero comando cambio	Shaft - gear control
42	22.01.35	Molla	Spring
43	15.05.24	Cricchetto segnamarce	Pawl - speeds mark
44	15.05.22	Rondella	Washer
45	23.01.16	Anello SMIM 14.22.4	Ring - SMIN 14.22.4
46	47.01.07	Vite TE $\phi 6 \times 30$	Screw - TE - $\phi 6 \times 30$
47	47.07.03	Rondella 6×13	Washer - 6×13
48	47.03.04	Dado 6×5	Nut - 6×5
49	38.01.12	Leva cambio	Lever - gear box
50	30.01.21	Pedanina	Footrest

continued on next page

<i>continued from previous page</i>			
No.	Code	Denominazione	Description
51	14.04.13	Perno	Pin
52	26.01.22	Copiglia 1,75	Cotter pin - 1.75
53	27.01.05	Seeger A 10×1	Circlip - A 10×1
54	15.05.21	Rondella	Washer
55	22.01.34	Molla	Spring
56	15.05.23	Piastra comando selezionatore	Plate - selector control
	13.04.11		
57	12.04.13	Forchetta	Fork
58	14.04.14	Tamburo	Drum
59	14.04.16	Spina	Peg
60	12.04.14	Rocchetto	Sprocket

Table 4A: Gearbox

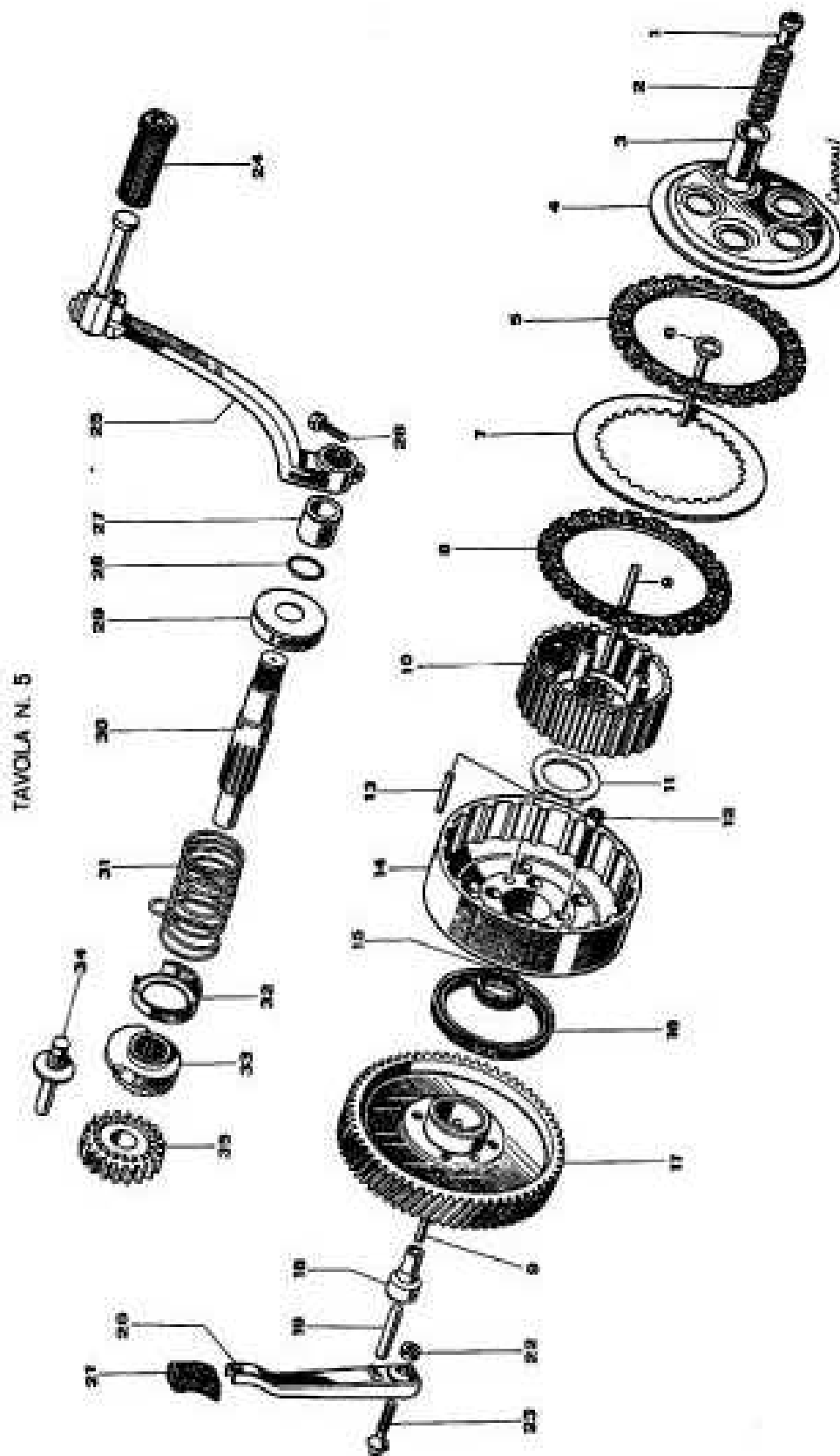


No.	Code	Denominazione	Description
1	38.01.12	Leva cambio	Gear lever
2	30.01.21	Pedanina leva cambio	Gear lever board
3	47.03.04	Dado $\phi 6 \times 5$ VT.302	Nut $\phi 6 \times 5$ VT. 302
4	47.08.03	Rondella elastica $\phi 6$	Spring washer $\phi 6$
5	47.07.03	Rondella piana $\phi 6 \times 13$ VT. 702	Flat washer $\phi 6 \times 13$ VT. 702
6	47.01.07	Vite TE. $\phi 6 \times 30$ VT. 106	Hexagonal-head screw $\phi 6 \times 30$ VT. 106
7	23.01.16	Anello SMIM 14.22.4	SMIM Ring 14.22.4
8	15.05.25	Rondella rasamento	Shim washer
9	27.01.08	Anello seeger A 18 \times 1,2	Seeger ring A 18 \times 1.2
10	15.05.22	Rondella ritegno	Check washer
11	15.05.24	Cricchetto segna marce	Gear selector ratchet
12	22.01.35	Molla cricchetto	Ratchet spring
13	14.04.15	Albero comando cambio	Gear control shaft
14	15.05.23	Piastra comando selezionatore	Selector control plate
	13.04.11	Perno di fermo	Lock pin
15	12.04.14	Rocchetto selettore	Selector sprocket
16	14.04.16	Perno trascinamento selettore	Driving pin
17	12.04.13	Forcella innesto marco	Gear clutch fork
18	14.04.14	Tamburoselettore	Selector drum
19	14.04.13	Perno collegamento forchette	Fork link pin
20	26.01.22	Copiglia $\phi 1,75$	Split pin $\phi 1,75$
21	27.01.05	Anello seeger A 10 \times 1	Circlip ring A 10 \times 1
22	15.05.21	Rondella ritegno cricchetto	Ratchet check washer
23	22.01.34	Molla spinta selezionatore	Selector pressure spring
24	26.01.12	Spina elastica spiral $\phi 5 \times 36$	Spiral spring pin $\phi 5 \times 36$
25	11.03.15	Leva comando selezionatore	Selector control lever
26	15.05.20	Rondella guide scodelino	Cap guide washer
27	22.01 Al	Molla selettore	Selector spring
28	15.05.19	Scodelino porte molla	Spring carrier cap
29	47.03.13	Dado autobloccante $\phi 6 \times 7,6$ VT. 314	Self.locking nut $\phi 6 \times 7,6$ VT. 314
30	15.05.18	Piastra di fermo	Retainer plate
	13.04.12	Piolo aggancio molla	Spring securing pin
31	47.01.36	Vite TE. $\phi 6 \times 25$ VT. 153	Hexagonal-head screw $\phi 6 \times 25$ VT. 153
32	24.01.01	Cuscinetto 6203 17.40.12	Bearing 6203 17.40.12
33	15.05.17	Rondella rasamento	Shim washer
34	18.02.38	Ingranaggio 1' sul secondario	1st gear on driven shaft
35	25.01.11	Boccola ingr. 1' sul secondario	1st gear bushing on driven shaft
36	18.02.42	Ingranaggio 5' sul secondario	5th gear on driven shaft
37	27.01.10	Anello seeger A 21 \times 1,2	Seeger ring A 21 \times 1,2
38	15.06.22	Rondella dentellata	Notched washer
39	18.02.40	Ingranaggio 3' sul secondario	3rd gear on driven shaft
40	25.01.21	Boccola ingr. 3'-4' sul secondario	3rd - 4th gear bushing on driven shaft
41	18.02.41	Ingranaggio 4' sul secondario	4th gear on driven shaft
42	18.02.43	Ingranaggio 6' sul secondario	6th gear on driven shaft
43	18.01.07	Albero secondario	Driven shaft
44	15.05.16	Rondella rasamento	Shim washer
45	18.02.39	Ingranaggio 2' sul secondario	2nd gear on driven shaft
46	25.01.12	Boccola ingr. 2' sul secondario	2nd gear bushing on driven shaft
47	24.01.08	Cuscinetto 6304 20.52.15	Bearing 6304 20.52.15
48	23.01.15	Anello SM 20-30-7	Ring SM 20.30.7

continued on next page

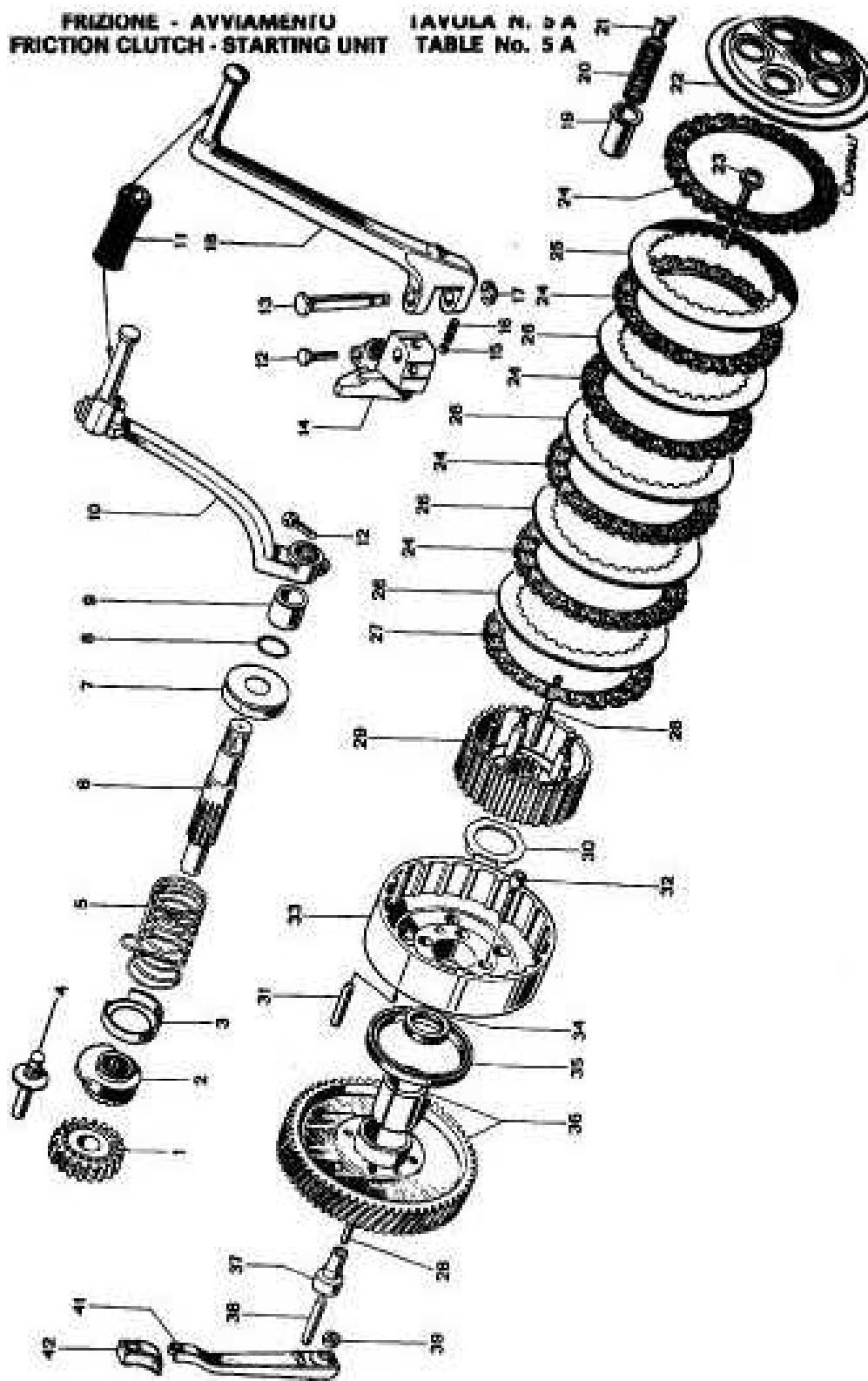
<i>continued from previous page</i>			
No.	Code	Denominazione	Description
49	19.01.23	Pignone catena	Chain sprocket
50	47.08.08	Rondella elastica $\phi 14$	Spring washer $\phi 14$
51	47.03.28	Dado autobloccante $\phi 14 \times 13,8$ VT. 332	Self-locking nut $\phi 14 \times 13,8$ VT. 332
52	18.02.17	Ingranaggio 2' sul primario	2nd gear on main shaft
53	25.01.20	Boccola Ingr. 6' sul primario	6th gear bushing on main shaft
54	18.02.37	Ingranaggio 6' sul primario	6th gear on main shaft
55	18.02.36	Ingranaggio 3'-4' sul primario	3rd - 4th gear on main shaft
56	25.03.09	Boccola 5' sul primario	5th gear bushing on main shaft
57	18.02.19	Ingranaggio 5' sul primario	5th gear on main shaft
58	18.01.06	Albero primario	Main shaft
59	24.01.07	Cuscinetto 6204 20.47.14	Bearing 6204 20.47.14
60	15.05.12	Rondella distanz. cuscinetto frizione	Distance washer for friction clutch bearing
61	14.04.12	Boccola ingran. frizione	Clutch gear bushing
62	15.05.13	Piastrina ferma dado	Nut retainer plate
63	13.04.17	Dada porta gommino $\phi 14 \times 8$	Gasket carrier nut $\phi 14 \times 8$
64	23.02.19	Gommino tenuta dado	Nut retainer rubber gasket

Table 5: Clutch, Kick Start Mechanism



No.	Code	Denominazione	Description
1	20.01.21	Dado	Nut
2	20.01.29	Molla	Spring
3	20.01.28	Bicchierino	Seat
4	20.01.27	Spingidisco	Disc push
5	20.01.25	Disco guarnito 3,5	Faced disc 3,5 thick
6	14.04.10	Piattello	Plate
7	20.01.26	Disco acciaio	Disc - steel
8	20.01.24	Disco guarnito 2,5	Faced disc - 2,5 thick
9	14.04.09	Asta	Rod
10	20.01.23	Innesto	Clutch
11	15.05.14	Rondella	Washer
12	47.06.04	Vita TCCE $\phi 6 \times 25$	Screw - TOE $\phi 6 \times 25$
13	14.04.11	Spina	Peg
14	11.03.14	Campana frizione	Bell - clutch
15	23.01.14	Anello SMIM 26357	Ring - SMIM 26357
16	23.01.13	Anello SM 60758	Ring - SM 60758
17	12.04.12	Ingranaggio frizione	Gear - clutch
18	25.02.11	Boccola	Bush
	23.02.11		
	15.05.26		
19	14.04.08	Astina	Rod
20	15.05.11	Leva	Lever
21	30.01.27	Cappuccio	Cap
22	47.03.05	Dado $\phi 7 \times 6$	Nut - $\phi 7 \times 6$
23	13.04.10	Registro	Adjuster
24		Gommino	Rubber
25	38.01.11	Leva avviamento	Lever - starting
26	47.01.12	Vite TE $\phi 7 \times 25$	Screw - TE - $\phi 7 \times 25$
27	25.02.10	Boccola	Bush
28	23.02.12	OR 123	OR 123
29	15.05.10	Scodellino est. avviam.	Seat - outer - starting
30	14.04.06	Alberino avviamento	Spindle - starting
31	22.01.46	Molla	Spring
32	15.05.09	Scodellino int. avviam.	Seat - inner - starting
33	12.04.10	Innesto avviamento	Coupling - starting
34	12.04.11	Piattello avviam.	Plate - starting
35	14.04.07	Ingranaggio avviam.	Gear - starting

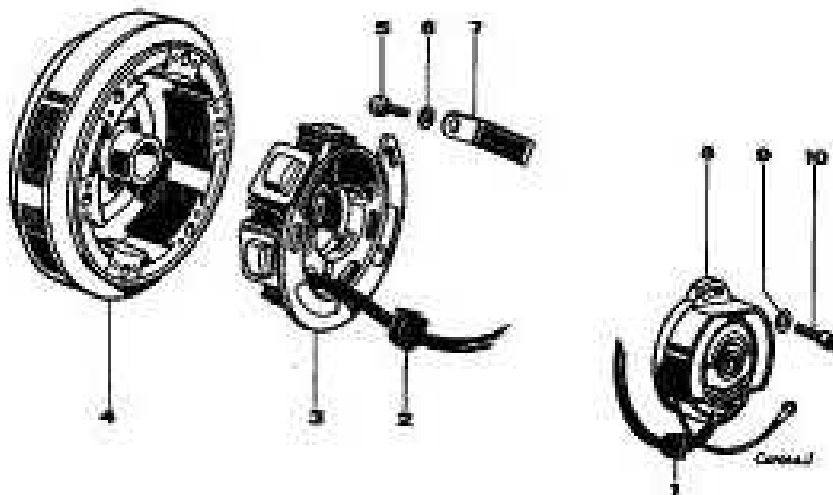
Table 5A: Clutch, Kick Start Mechanism



No.	Code	Denominazione	Description
1	14.04.07	Ingranaggio avviamento	Starting gear
2	12.04.10	Innesto avviamento	Starting clutch
3	15.05.09	Scodellino interno avviamento	Starting Inner cap
4	12.04.11	Piattello avviamento	Starting cap
5	22.01.46	Molla ritorno messa in moto	Starting return spring
6	14.04.06	Albero avviamento	Starting shaft
7	15.05.10	Scodellino esterno avviamento	Starting Outer cap
8	23.02.12	OR 123 per boccola avviamento	OR ring 123 for starting bushing
9	25.02.10	Boccola avviamento	Starting bushing
10	38.01.11	Leva avviamento (snodo alto)	Starting lever (upper joint)
11	30.01.40	Gommino per leva avviamento	Starting lever rubber piece
12	47.01.12	Vite TE $\phi 7 \times 25$ VT. 114	Hexagonal-head screw $\phi 7 \times 25$ VT. 114
13	38.01.17	Perno di rotazione	Revolution pin
14	38.01.16	Mozzo	Keying hub
15	38.01.18	Sfera $\phi 9/32$ "	Ball $\phi 9/32$ "
16	38.01.19	Molla	Spring
17	38.01.20	Anello di sicurezza	Safety ring
18	38.01.15	Leva avviamento (snodo basso)	Starting lever (lower joint)
19	20.01.28	Bicchierino guida molla	Spring guide bowl
20	20.01.29	Molla	Spring
21	20.01.21	Dado	Nut
22	20.01.27	Spingidisco	Disk thrust
23	14.04.10	Piattello	Cap
24	20.01.25	Disco guarnito 3,5	Gasketed disk 3.5
25	20.01.32	Disco acciaio bombato	Convex steel disk
26	20.01.26	Disco acciaio	Steel disk
27	20.01.24	Disco guarnito 2,5	Gasketed disk 2,5
28	14.04.09	Asta comando frizione	Clutch operating rod
29	20.01.23	Innesto interno	Inner clutch
30	15.05.14	Rondella dentellata frizione	Friction clutch notched washer
31	14.04.11	Spina trascin. campana frizione	Friction clutch bell motoring-over pin
32	47.06.04	Vite TCCE $\phi 6 \times 25$ VT. 603	Hexag.-head cap screw $\phi 6 \times 25$ VT. 603
33	11.03.14	Campana frizione	Friction clutch bell
	14.05.10	Anello campana frizione	Friction clutch bell ring
34	23.01.14	Anello SMIM 26357	Ring SMIM 26357
35	23.01.13	Anello SM 60758	Ring SM 60758
36	12.04.12	Ingranaggio frizione	Friction clutch gear bushing
	25.03.05	Boccola Ingranaggio frizion.	Friction clutch gear bushing
37	25.02.11	Boccola asta frizione	Friction clutch gear bushing pin
	23.02.11	OR. 106 asta frizione	OR. ring 106
	15.05.26	Tappo ad espansione	Mechanically expanded cap
38	14.04.08	Astina comando frizione	Friction operating rod
39	47.03.05	Dado $\phi 7 \times 6$ VT. 303	Nut $\phi 7 \times 6$ VT. 303
40	13.04.10	Registro leva frizione	Friction clutch lever adjuster
41	15.05.11	Leva frizione	Friction clutch lever
42	30.01.27	Cappuccio leva frizione	Friction clutch lever cap

Table 6: Ignition

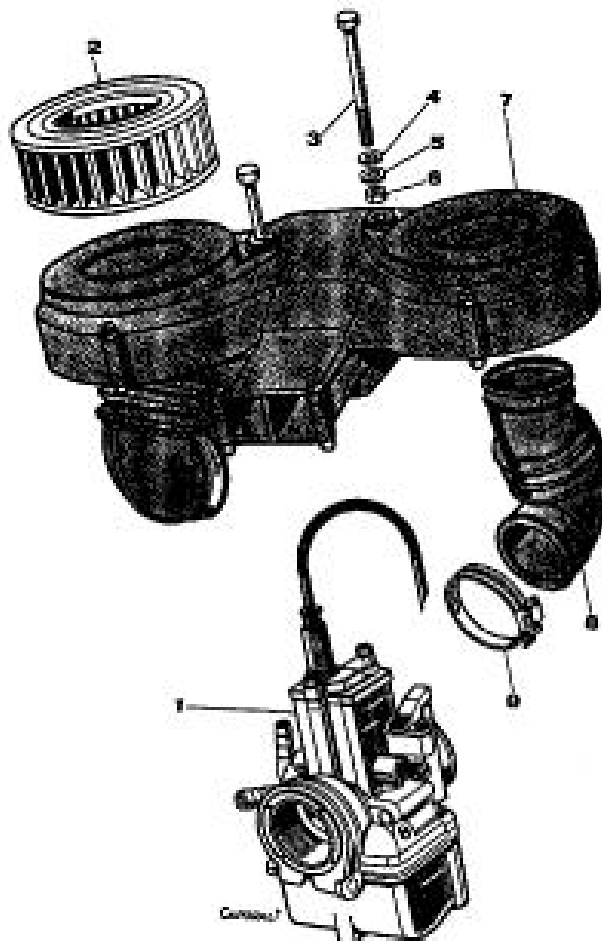
TAVOLA N. 8



No.	Code	Denominazione	Description
1	30.01.24	Passacavo	Cable lead
2	30.01.23	Passacavo	Cable lead
3	46.05.06	Statore	Stator
5		Rotore	Rotor
5	47.02.05	Vite TC $\phi 6 \times 16$	Screw - TC - $\phi 6 \times 16$
6	47.08.03	Rondella elastica $\phi 6$	Spring washer - $\phi 6$
7	15.05.08	Piastrina	Plate
8	45.05.08	Captatore	Pickup
9	47.07.01	Rondella	Washer
10	47.06.06	Vite TCCE $\phi 6 \times 16$	Screw - TCCE - $\phi 6 \times 16$

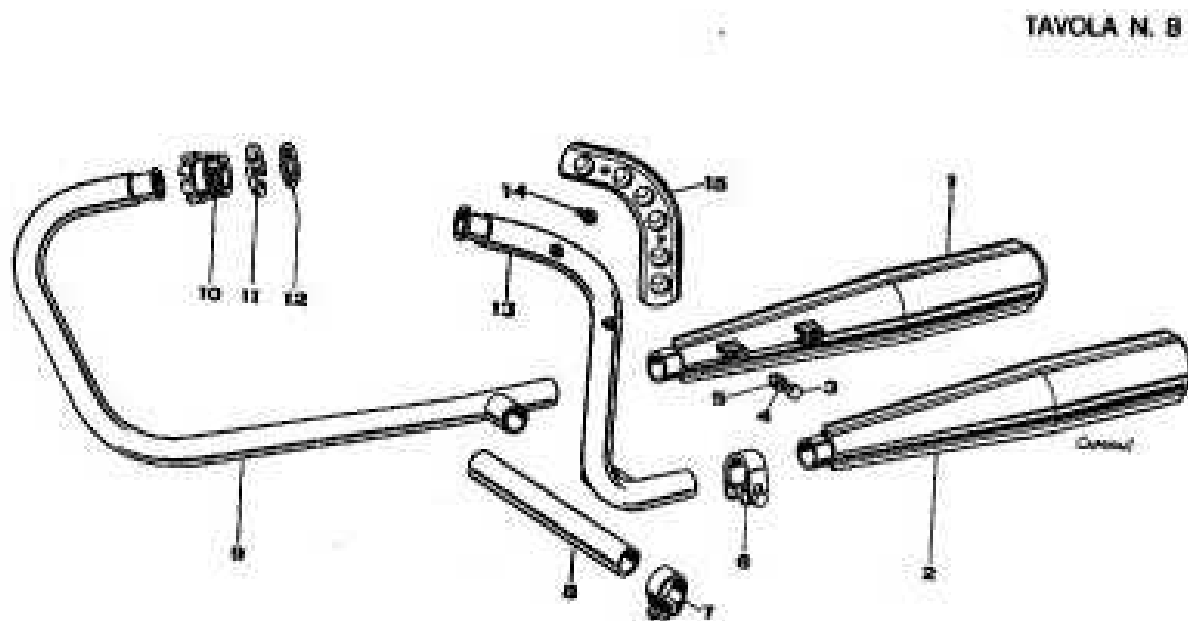
Table 7: Carburettor, Air Cleaner

TAVOLA N. 7

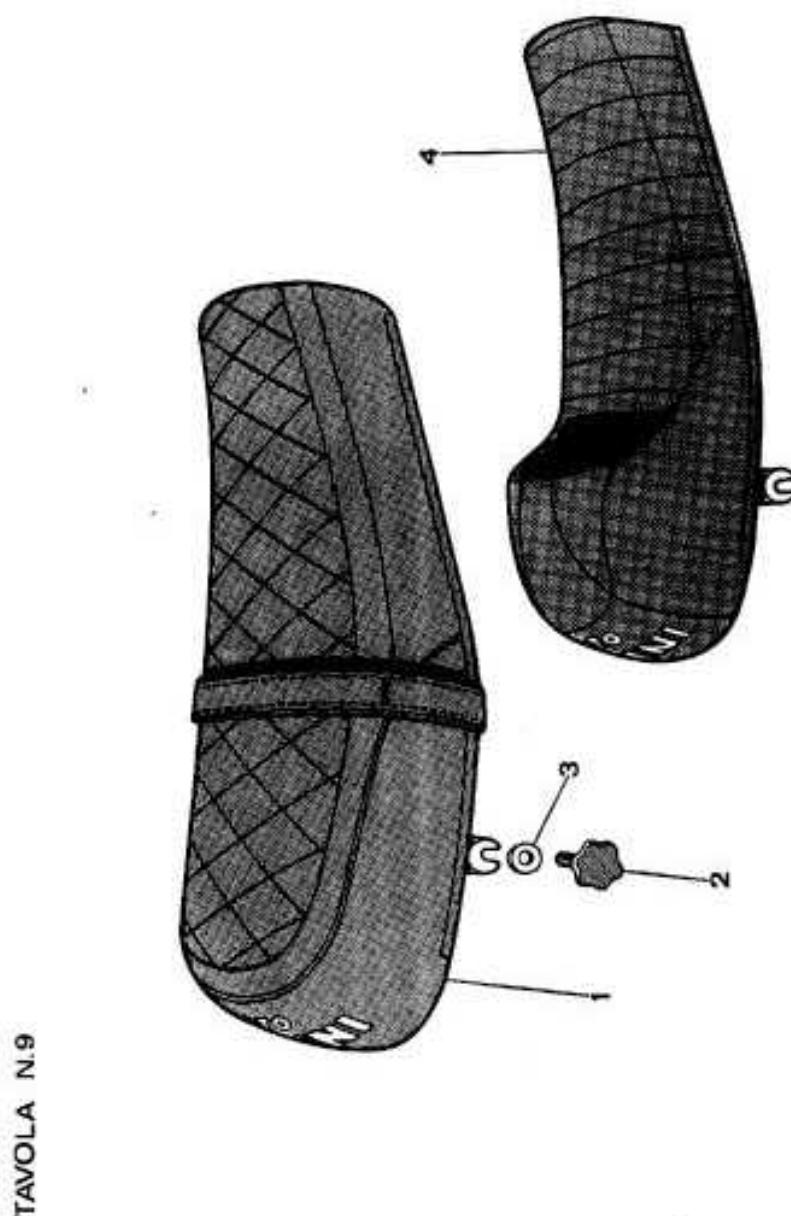


No.	Code	Denominazione	Description
1	34.01.05	Carburatore VHB 25 BS	Carburettor VBH 25 BS
2	32.01.15	Cartuccia filtro	Cartridge - filter
3	47.01.50	Vite TE $\phi 6 \times 80$	Screw - TE - $\phi 6 \times 80$
4	47.08.03	Rondella elastica $\phi 6$	Spring washer - $\phi 6$
5	47.07.03	Rondella $\phi 6$	Washer - $\phi 6$
6	47.03.04	Dado $\phi 6 \times 5$	Nut $\phi 6 \times 5$
7	32.01.12	Filtro aria	Filter - air
	32.01.13		
	47.02.20		
	47.03.02		
8	30.01.25	Manicotto	Collar
9	26.01.14	Fascetta	Bracket

Table 8: Exhaust



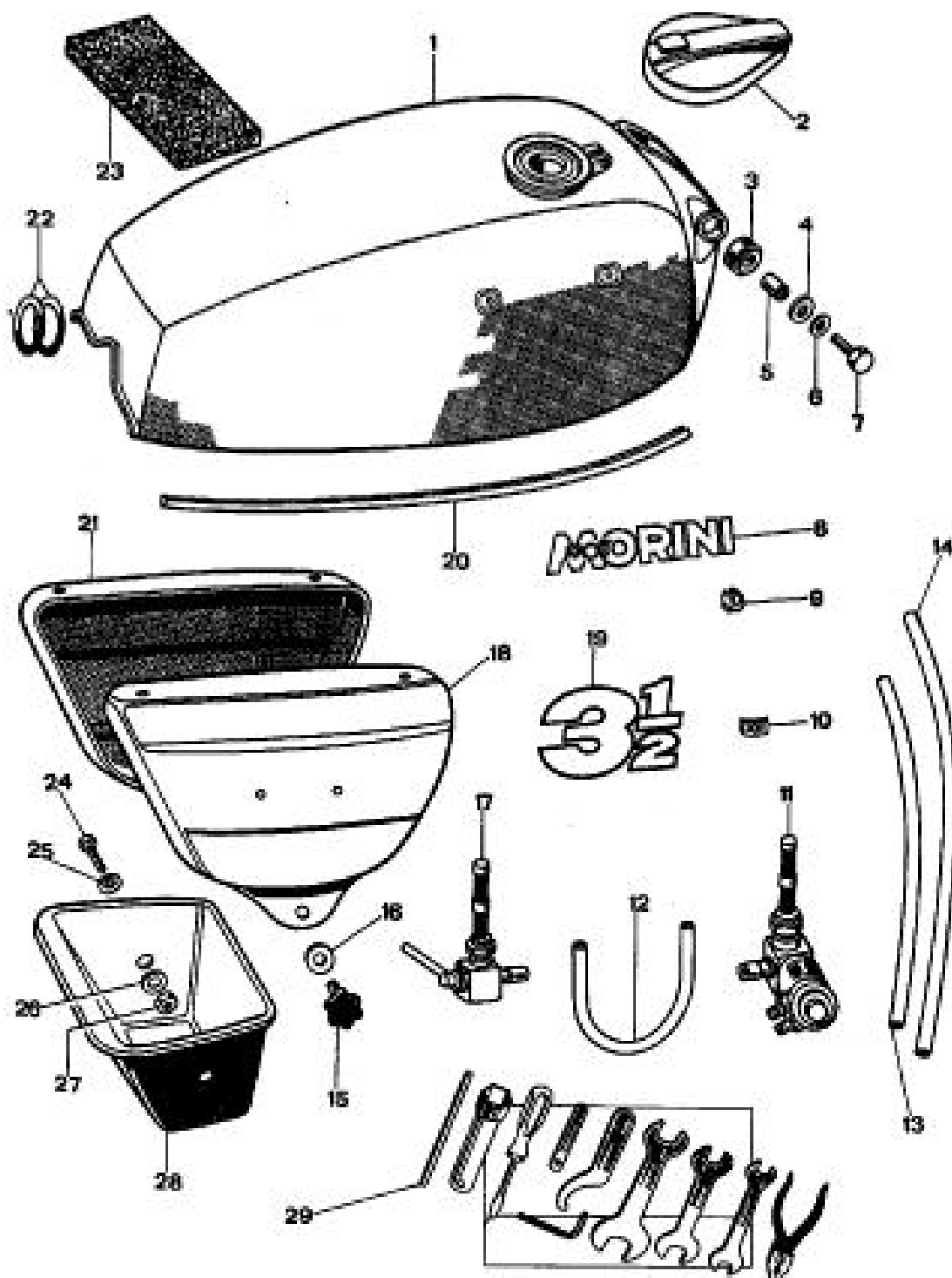
No.	Code	Denominazione	Description
1	35.01.12	Silenziatore destro	Silencer - right
2	35.01.13	Silenziatore sinistro	Silencer - left
3	47.01.15	Vite TE $\phi 8 \times 14$	Screw - TE - $\phi 8 \times 14$
4	47.07.07	Rondella $\phi 8 \times 18$	Washer - $\phi 8 \times 18$
5	47.03.12	Dado $\phi 8 \times 6,5$	Nut - $\phi 8 \times 6,5$
6	35.01.08	Fascetta	Bracket
7	26.01.13	Fascetta	Bracket
8	35.02.10	Tubo compensatore	Balancing pipe
9	35.02.07	Tubo scarico lungo	Exhaust pipe - long
10	12.04.07	Ghiera	Ferrule
11	12.04.09	Semianelli	Half-rings
12	21.01.64	Guarnizione	Gasket
13	35.02.08	Tubo scarico corto	Exhaust pipe - short
14	47.04.12	Vite $\phi 5 \times 8$	Screw - $\phi 5 \times 8$
15	15.06.01	Protezione	Protection

Table 9: Seat

No.	Code	Denominazione	Description
1	39.01.08	Sella normale	Normal saddle
2	31.01.07	Pomello $\phi 8 \times 20$	Knob - $\phi 8 \times 20$
3	21.01.51	Rondella	Washer
4	39.01.09	Sella Sport	Sport saddle

Table 10: Tank, Side Covers

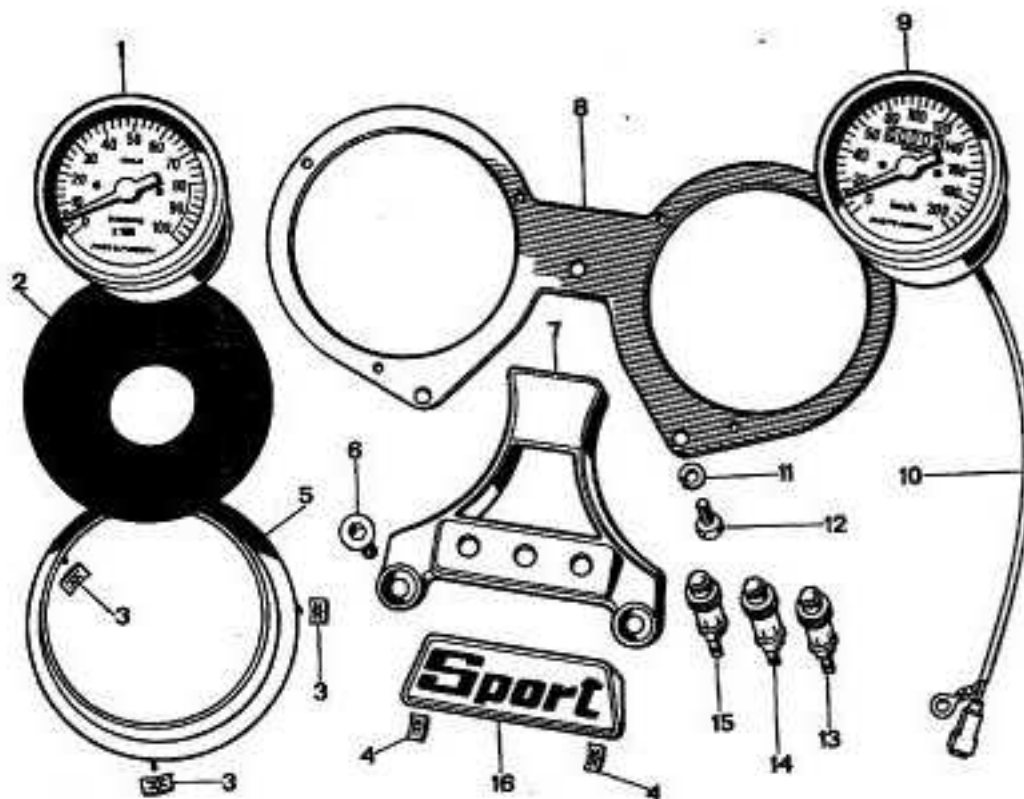
TAVOLA N. 10



No.	Code	Denominazione	Description
1	37.01.11	Serbatoio	Tank
2	37.01.12	Tappo serbatoio	Tank cap
3	30.01.10	Antivibrante	Vibration damper
4	47.07.06	Rondella $\phi 7 \times 14$	Washer - $\phi 7 \times 14$
5	13.03.26	Boccola	Bush
6	47.07.06	Rondella $\phi 7 \times 14$	Washer - $\phi 7 \times 14$
7	47.01.12	Vite TE $\phi 7 \times 25$	Screw - TE - $\phi 7 \times 25$
8	33.01.04	Motomorini	Motomorini
9	26.01.07	Dispositivo	Device
10	26.01.06	Molletta	Spring
11	34.02.06	Elettro rubinetto	Electrocock
12	14.07.06	Tubo benzina	Gasoline pipe
13	14.07.07	Tubo benzina	Gasoline pipe
14	14.07.08	Tubo benzina	Gasoline pipe
15	31.01.06	Pomello 6×15	Knob - 6×15
16	21.01.56	Rondella	Washer
17	34.02.05	Rubinetto	Cock
18	37.02.16	Fiancata destra	Right body side
19	33.01.05	$3\frac{1}{2}$	$3\frac{1}{2}$
20	14.07.15	Profilato M6	Molding - M6
21	37.02.17	Fiancata sinistra	Left body side
22	30.01.18	Anello	Ring
23	21.01.55	Sottoserbatoio	Tank floor
24	47.01.05	Vite TE $\phi 6 \times 16$	Screw - TE - $\phi 6 \times 16$
25	47.07.03	Rondella $\phi 6 \times 13$	Washer - $\phi 6 \times 13$
26	47.07.13	Rondella $\phi 6 \times 18$	Washer - $\phi 6 \times 18$
27	47.03.04	Dado 6×5	Nut - 6×5
28	32.01.14	Scatola attrezzi	Tool box
29	19.02.22	Borsa attrezzi	Tool kit

Table 11: Instruments

TAVOLA N. 11



No.	Code	Denominazione	Description
1	46.03.06	Contagiri	Revolution counter
2	46.03.08	Manicotto	Coupling sleeve
3	26.01.25	Dispositivo	Device
4	26.01.06	Molletta	Spring
5	32.01.25	Coprimanicotto	Coupling sleeve cover
6	47.06.11	Vite TSCE $\phi 8 \times 25$	Screw - TSCE - $\phi 8 \times 25$
7	11.03.20	Supporto	Holder
8	15.06.27	Piastra	Plate
9	46.03.04	Contachilometri	Mileage counter
10	46.03.05	Cavetto	Cable
11	47.08.05	Rondella elast. $\phi 8$	Spring washer - $\phi 8$
12	47.01.03	Vite TE $\phi 5 \times 14$	Screw - TE - $\phi 5 \times 14$
13	46.02.16	Spia bleu	Blue warning light
14	46.02.17	Spia rossa	Red warning light
15	46.02.15	Spia verde	Green warning light
16	33.01.22	Marchio	Model mark

Table 11A: Instruments

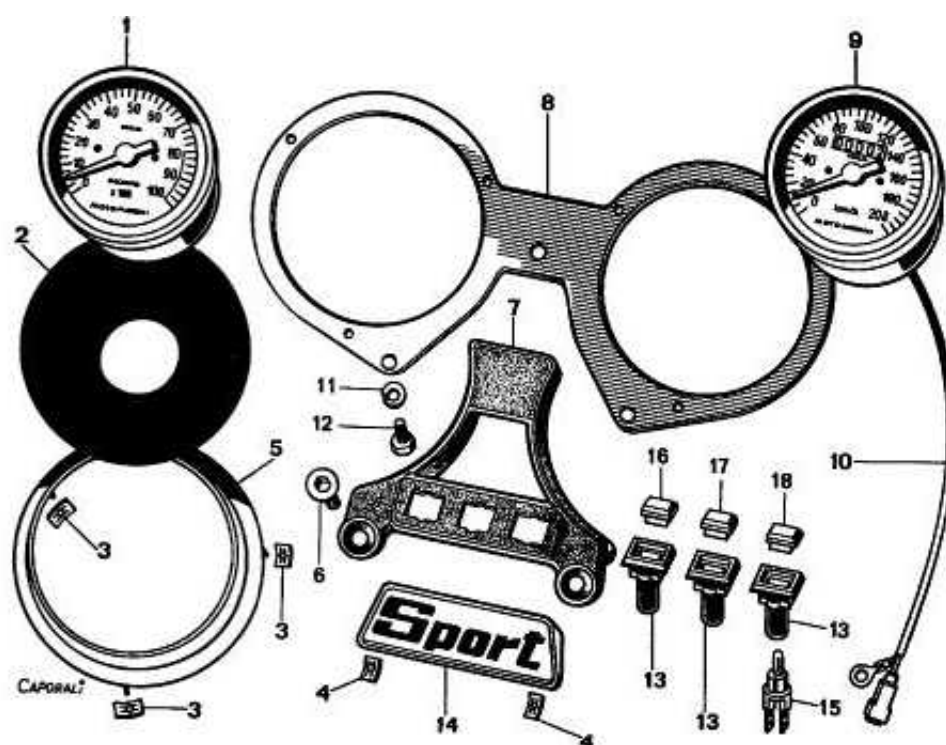
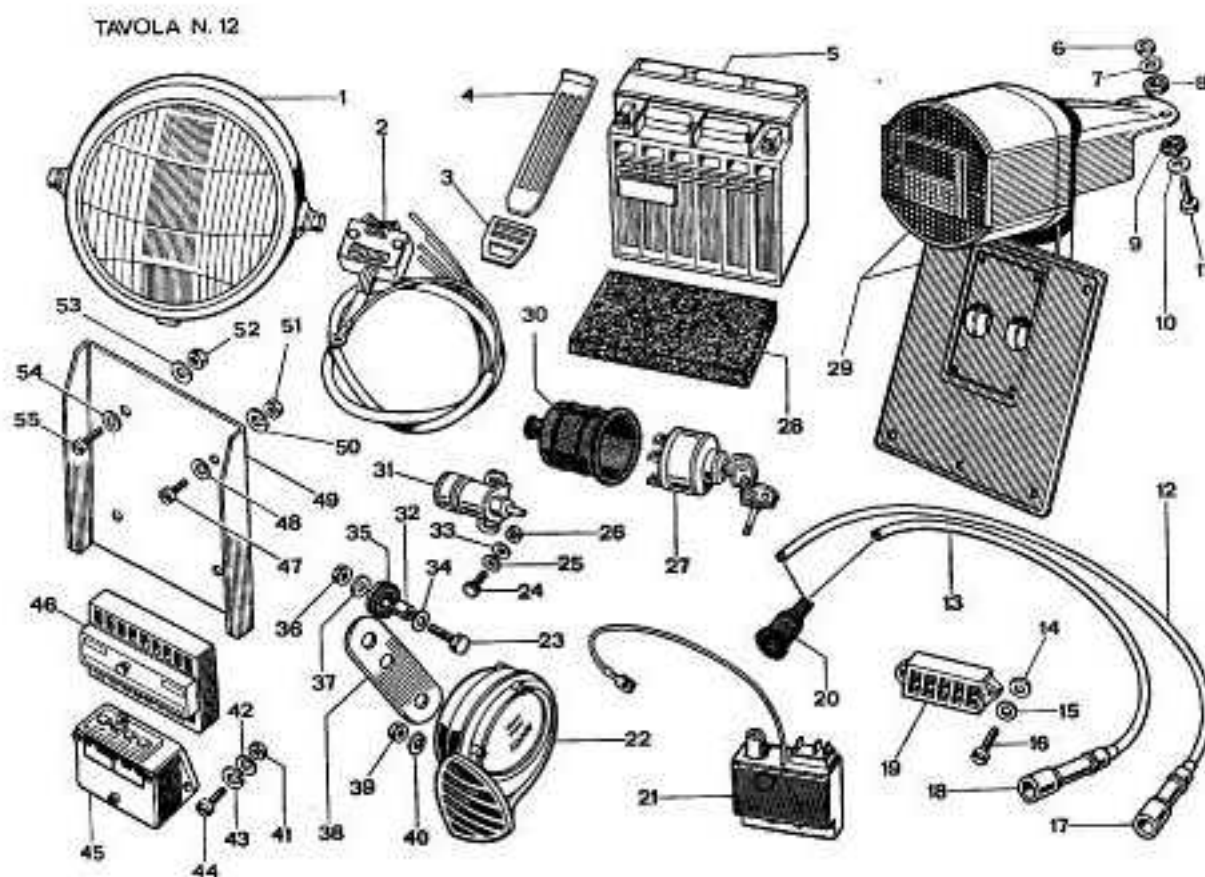


TAVOLA N. 11A
TABLE No. 11A

No.	Code	Denominazione	Description
1	46.03.06	Contagiri	Tachometer
2	46.03.08	Manicotto	Coupling sleeve
3	26.01.25	Dispositivo	Device
4	26.01.06	Molletta	Spring
5	32.01.25	Coprimanicotto	Coupling sleeve cover
6	47.06.11	Vite TSCE $\phi 8 \times 25$	Screw TSCE $\phi 8 \times 25$
7	11.03.22	Supporto	Holder
8	15.06.27	Piastra	Plate
9	46.03.04	Contachilometri	Speedometer
10	46.03.05	Cavetto	Cable
11	47.08.05	Rondella elastica $\phi 8$	Spring washer $\phi 8$
12	47.01.03	Vite TE $\phi 5 \times 14$	Screw TE $\phi 5 \times 14$
13	32.01.21	Portaspia	Warning light holder
14	33.01.22	Marchio	Model mark
15	46.03.25	Porta lampada	Pilot lamp holder
16	32.01.23	Spia verde	Green warning light
17	32.01.24	Spia blu	Blue warning light
18	32.01.27	Spia rossa	Red warning light

Table 12: Electrical Components



No.	Code	Denominazione	Description
1	46.01.07	Proiettore	Headlight
2	46.01.08	Dispositivo	Device
3	15.04.01	Gancia	Hook
4	30.01.14	Fascetta	Bracket
5	46.02.05	Batteria	Battery
6	47.03.13	Dada 6×7,6	Nut - 6×7,6
7	47.07.13	Rondella $\phi 6 \times 18$	Washer - $\phi 6 \times 18$
8	21.01.65	Rondella	Washer
9	21.01.51	Rondella	Washer
10	47.07.13	Rondella $\phi 6 \times 18$	Washer $\phi 6 \times 18$
11	47.01.06	Vite TE $\phi 6 \times 22$	Screw - TE - $\phi 6 \times 22$
12	46.04.21	Filo candela	Spark plug wire
13	46.04.22	Filo candela	Spark plug wire
14	47.07.02	Rondella $\phi 5 \times 11$	Washer - $\phi 5 \times 11$
15	47.08.02	Rondella elast. $\phi 5$	Spring washer - $\phi 5$
16	47.02.19	Vite TC $\phi 5 \times 16$	Screw - TC - $\phi 5 \times 16$
17	46.02.19	Attacco candela	Spark plug connector
18	46.02.19	Attacco candela	Spark plug connector
19	46.02.12	Morsettiera piccola	Small terminal board
20	46.04.24	Cappellotto	Cap

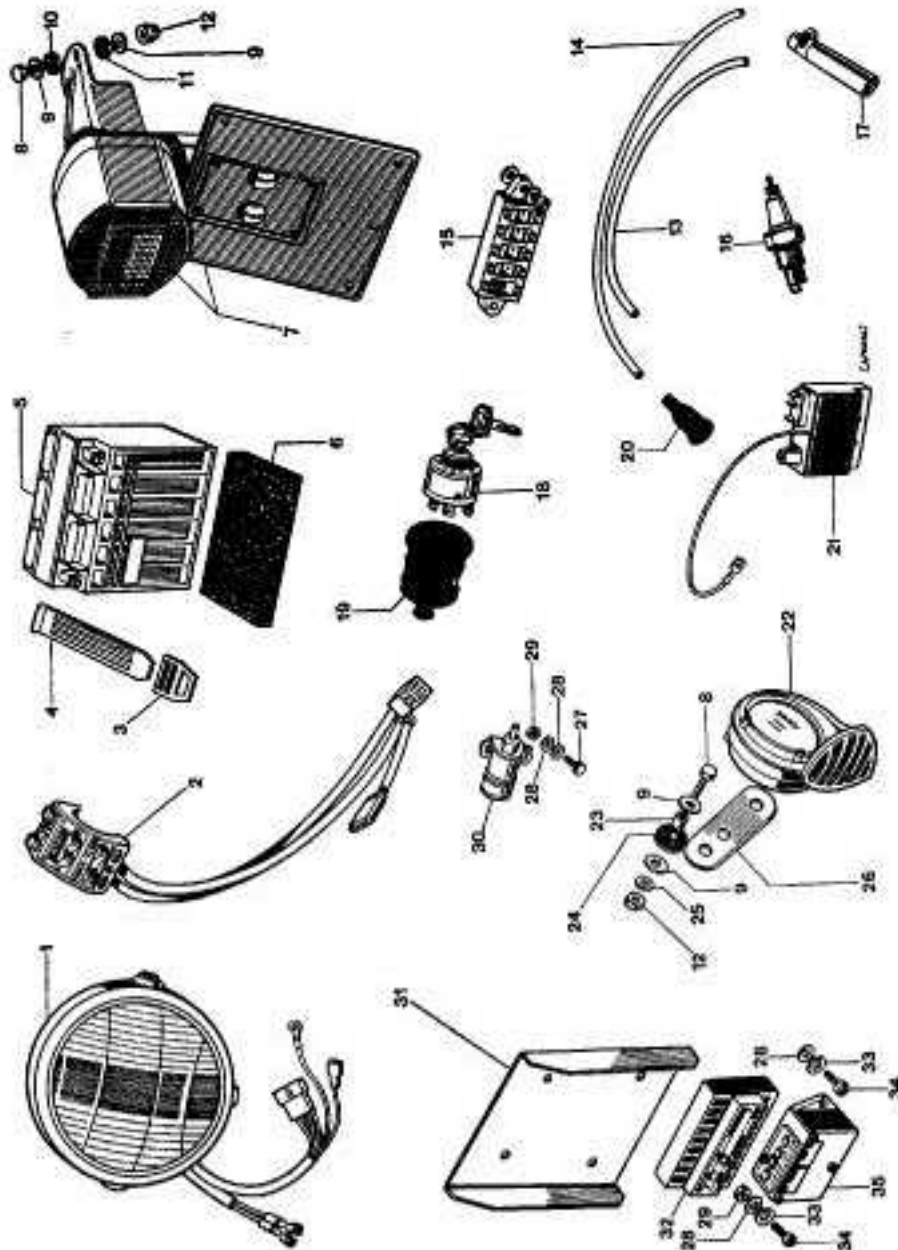
continued on next page

<i>continued from previous page</i>			
No.	Code	Denominazione	Description
21	46.05.07	Trasduttore	Transducer
22	46.02.03	Tromba	Horn
23	47.01.06	Vite TE $\phi 6 \times 22$	Screw - TE - $\phi 6 \times 22$
24	47.01.02	Vite TE $\phi 5 \times 10$	Screw - TE - $\phi 5 \times 10$
25	47.07.02	Rondella $\phi 5 \times 11$	Washer - $\phi 5 \times 11$
26	47.03.03	Dado 5×5	Nut - 5×5
27	46.02.13	Commutatore	Commutator
28	21.01.67	Sattobatteria	Battery base
29	46.01.13	Portatarga	License plate holder
30	46.02.14	Cappuccio	Commutator cap
31	46.02.09	Interruttore	Switch
32	14.05.11	Boccola	Bush
33	47.08.02	Rondella elast. $\phi 5$	Spring washer - $\phi 5$
34	47.07.13	Rondella $\phi 6 \times 18$	Washer - $\phi 6 \times 18$
35	30.01.26	Antivibrante	Vibration damper
36	47.03.04	Dado 6×5	Nut - 6×5
37	47.07.13	Rondella $\phi 6 \times 18$	Washer - $\phi 6 \times 18$
38	15.06.15	Staffa	Stirrup
39	47.03.04	Dado 6×5	Nut - 6×5
40	47.08.03	Rondella elast. $\phi 6$	Spring washer - $\phi 6$
41	47.03.03	Dado 5×5	Nut - 5×5
42	47.07.02	Rondella $\phi 5 \times 11$	Washer - $\phi 5 \times 11$
43	47.08.02	Rondella elast. $\phi 5$	Spring washer - $\phi 5$
44	47.02.19	Vite TC $\phi 5 \times 16$	Screw - TC - $\phi 5 \times 16$
45	46.05.09	Regolare	Regulator
46	46.02.11	Morsettiera grande	Large terminal board
47	47.02.19	Vite TC $\phi 5 \times 16$	Screw - TC - $\phi 5 \times 16$
48	47.07.02	Rondella $\phi 5 \times 11$	Washer - $\phi 5 \times 11$
49	15.06.18	Pannella	Panel
50	47.08.02	Rondella elast. $\phi 5$	Spring washer - $\phi 5$
51	47.03.03	Dado 5×5	Nut - 5×5
52	47.03.03	Dado 5×5	Nut - 5×5
53	47.07.02	Rondella $\phi 5 \times 11$	Washer - $\phi 5 \times 11$
54	47.07.02	Rondella $\phi 5 \times 11$	Washer - $\phi 5 \times 11$
55	47.02.19	Vite TC $\phi 5 \times 16$	Screw - TC - $\phi 5 \times 16$

Table 12A: Electrical Components

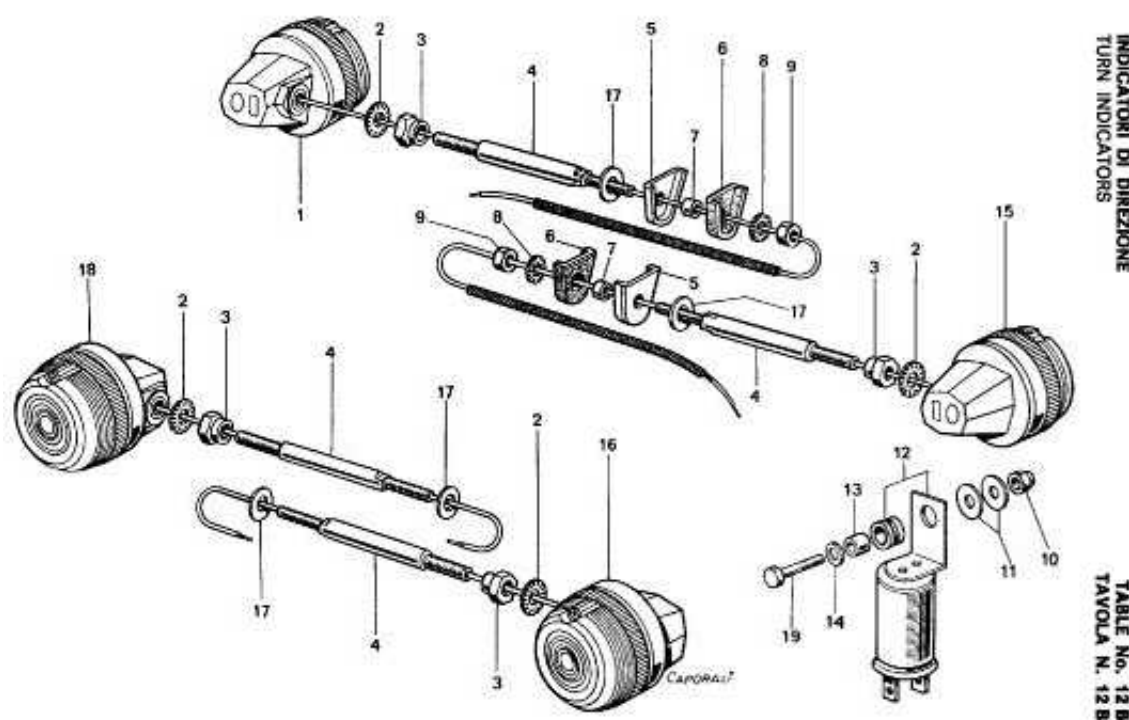
FANALE - PORTATARGA - BATTERIA - TROMBA
 HEADLIGHT - LICENSE PLATE HOLDER - BATTERY - HORN

TAVOLA N. 12 A
 TABLE No. 12 A



No.	Code	Denominazione	Description
1	46.01.31	Proiettore Mod. 4045	Headlight Mod. 4015
2	46.01.32	Dispositivo luci Mod. 8183	Lighting device Mod. 8183
3	15.04.01	Gancia fascetta batteria	Battery clamping hook
4	30.01.14	Fascetta batteria	Battery clamp
5	46.02.05	Batteria	Battery
6	21.01.67	Sottobatteria	Battery bottom
7	46.01.13	Portatarga	License plate holder
8	47.01.06	Vite T.E. $\phi 6 \times 22$ VT. 105	Hexagonal-head screw $\phi 6 \times 22$ VT. 105
9	47.07.13	Rondella piana $\phi 6 \times 18$ VT. 716	Flat washer $\phi 6 \times 18$ VT. 716
10	21.01.65	Rondella gommatela	Rubber warp lock washer
11	21.01.51	Rondella gommatela	Rubber warp lock washer
12	47.03.13	Dado autobloccante $\phi 6 \times 7,6$ VT. 314	Self-locking nut $\phi 6 \times 7,6$ VT. 314
13	46.04.22	Filo candela corto	Short sparkplug wire
14	46.04.21	Filo candela lungo	Long sparkplug wire
15	46.02.33	Morsettiera mini Mod. 0.4538.9	Small-sized terminal board Mod. 0.4538.9
16	46.02.08	Candela AC 42 - XLS	Sparkplug AC 42 XLS
17	46.02.19	Attacco candela	Sparkplug connection
18	46.02.26	Commutatore a chiave Mod. 8180.1	Key-type switch Mod. 8180.1
19	46.02.14	Cappuccio commutatore Mod. 16710	Switch hood Mod. 16710
20	46.04.24	Cappellotto filo candela	Sparkplug wire hood
21	46.05.07	Trasduttore	Transducer
22	46.02.03	Tromba	Horn
23	14.05.11	Boccola antivibrante tromba	Shakeproof horn bushing
24	30.01.26	Passacavo in gomma Art. 843	Rubber fairlead Ref. N. 843
25	47.07.03	Rondella piana $\phi 6 \times 13$ VT. 702	Flat washer $\phi 6 \times 13$ VT. 702
26	15.06.15	Staffa sostegno avvisatore acustico	Warning horn supporting bracket
27	47.01.02	Vite T.E. $\phi 5 \times 10$ VT. 101	Hexagonal-head screw $\phi 5 \times 10$ VT. 101
28	47.07.02	Rondella piana $\phi 5 \times 11$ VT. 701	Flat washer $\phi 5 \times 11$ VT. 701
29	47.03.03	Dado $\phi 5 \times 5$ VT. 301	Nut $\phi 5 \times 5$ VT. 301
30	46.02.09	Interruttore stop	Stop switch
31	15.06.18	Pannello porta morsettiera	Terminal board holding panel
32	46.02.34	Morsettiera porta fusibili	Fuses terminal box
33	47.08.02	Rondella elastica $\phi 5$	Spring washer $\phi 5$
34	47.02.19	Vite T.C. $\phi 5 \times 16$ VT. 228	Socket screw $\phi 5 \times 16$ VT. 228
35	46.05.09	Regolatore	Regulator

Table 12B: Indicators



No.	Code	Denominazione	Description
1	46.01.35	Indicatore posteriore destro Mod. 9373.13	Right side rear turn indicator
2	47.08.12	Rondella ventaglio $\phi 10$	Fan-shaped washer $\phi 10$
3	46.01.38	Dado cromato Mod. 18744	Chrome nut Mod. 18744
4	46.01.22	Perno cromato Mod. 18284	Chrome pin Mod. 18284
5	15.06.42	Astuccio per antivibrante	Case for vibration damper
6	30.01.45	Antivibrante	Vibration damper
7	14.05.22	Boccolina per antivibrante	Bushing for vibration damper
8	47.08.11	Rondella a ventaglia $\phi 8$	Fan-shaped washer $\phi 8$
9	47.03.12	Dado $\phi 8 \times 6,5$ VT. 313	Nut $\phi 8 \times 6,5$ VT. 313
10	47.03.04	Dado $\phi 6 \times 5$ VT. 302	Nut $\phi 6 \times 5$ VT. 302
11	47.07.13	Rondella piana $\phi 6 \times 18$ VT. 716	Flat washer $\phi 6 \times 18$ VT. 716
12	46.01.24	Intermittenza	Intermittence
13	14.05.11	Boccolina per antivibrante	Bushing for vibration damper
14	47.07.03	Rondella piana $\phi 6 \times 13$ VT. 702	Flat washer $\phi 6 \times 13$ VT. 702
15	46.01.33	Indicatore posteriore sinistro Mod. 9372.12	Left side rear turn indicator
16	46.01.34	Indicatore anteriore sinistro Mod. 9373.12	Left side front turn indicator
17	47.07.07	Rondella piana $\phi 8 \times 18$ VT. 707	Flat washer $\phi 8 \times 18$ VT. 707
18	46.01.36	Indicatore anteriore destro Mod. 9372.13	Right side front turn indicator
19	47.01.06	Vite T.E. $\phi 6 \times 22$ VT. 105	Hexagonal-head screw $\phi 6 \times 22$ VT. 105

Table 13: Front Forks

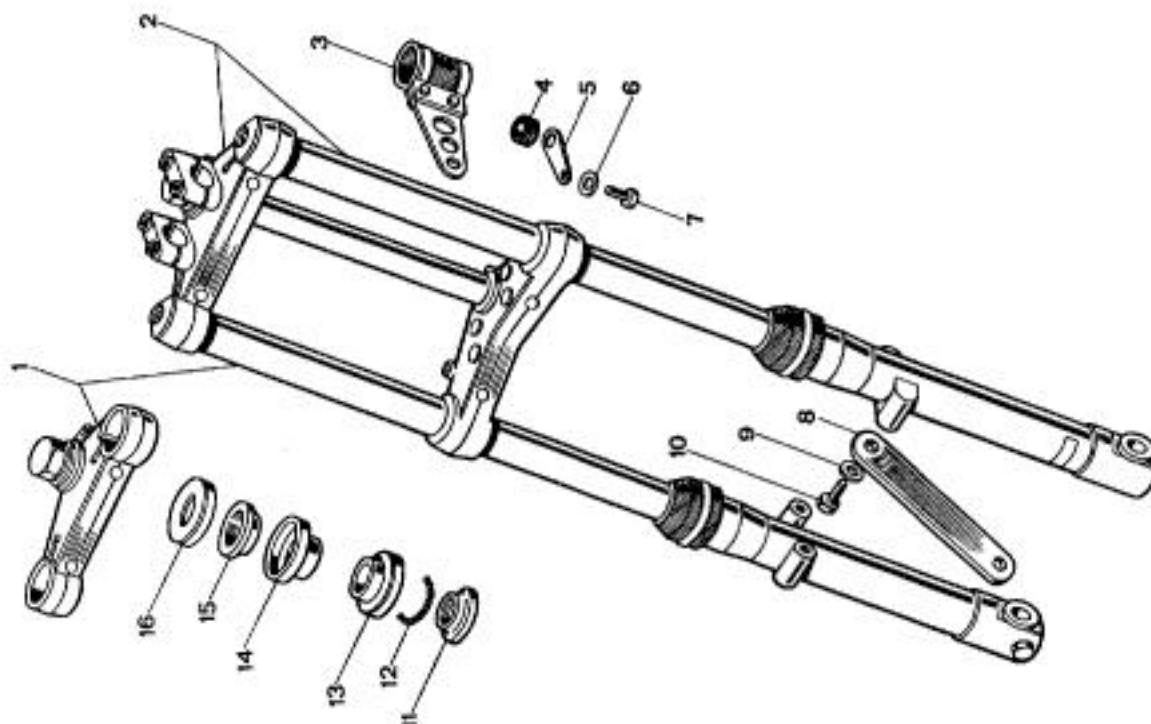


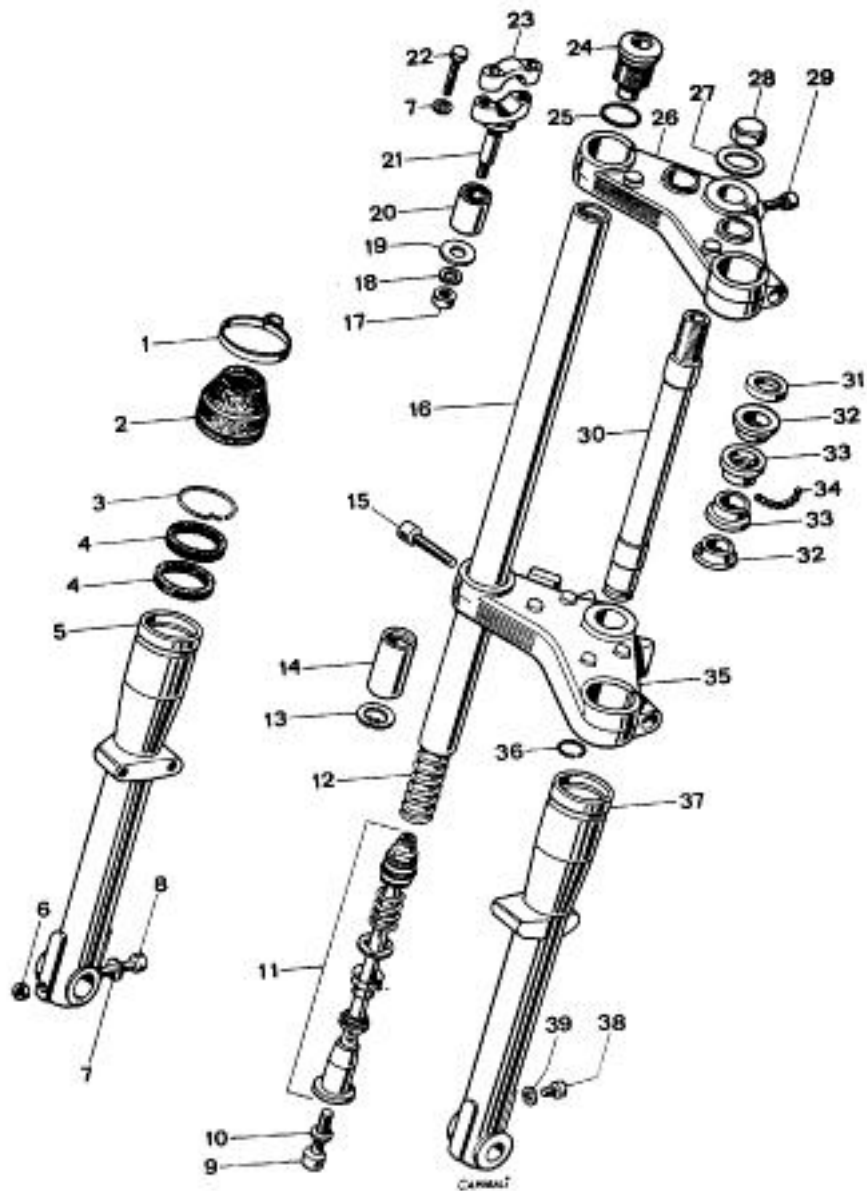
TAVOLA N. 13

No.	Code	Denominazione	Description
1	42.01.07	Forcella Sport	Fork - Sport
2	42.01.06	Forcella normale	Fork Normal
3	19.02.23	Fascetta destra	Right bracket
	19.02.24	Fascetta sinistra	Left bracket
4	30.01.26	Passacavo	Cable lead
5	15.06.11	Staffa	Stirrup
6	47.07.03	Rondella $\phi 6 \times 13$	Washer - $\phi 6 \times 13$
7	47.01.04	Vite TE $\phi 6 \times 12$	Screw - TE $\phi 6 \times 12$
8	14.06.07	Ancoraggio	Anchor plate
9	47.07.07	Rondella $\phi 8 \times 18$	Washer - $\phi 8 \times 18$
10	47.01.32	Vite TE $\phi 8 \times 20$	Screw - TE - $\phi 8 \times 20$
11	19.02.21	Cono	Cone
12	24.03.05	Sfera $\phi 1/4''$	Ball - $\phi 1/4''$
13	19.02.20	Calotta	Cap
14	19.02.20	Calotta	Cap
15	19.02.21	Cono	Cone
16	15.06.14	Copricalotta	Cap cover

Table 13A: Front Forks (Standard Paioli)

**FORCELLA 350 NORMALE PAIOLI
FORK 350 STANDARD PAIOLI**

**TAV. N. 13A
TABLE No. 13A**

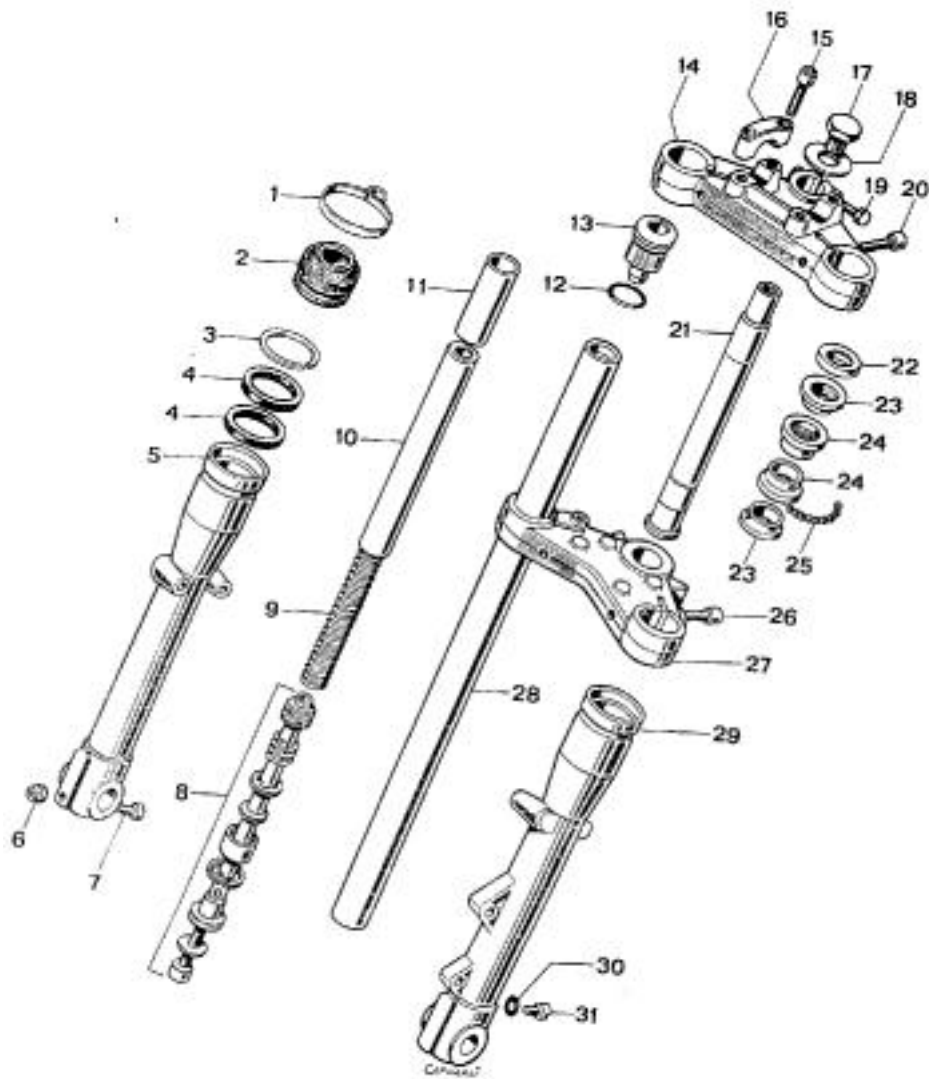


No.	Code	Denominazione	Description
1	42.08.17	Fascetta elastica	Elastic clamp
2	42.08.18	Cuffia parapolvere	Dust cover guard
3	42.08.24	Anello tenuta paraolio	Oil seal ring
4	42.08.14	Paraolio $\phi 35$	Oil seal $\phi 35$
5	42.08.07	Gamba destra	Right leg
6	47.03.12	Dado $\phi 8$ MA	$\phi 8$ MA Nut
7	47.07.11	Rondella piana $\phi 8 \times 15$ VT. 714	Flat washer $\phi 8 \times 15$ VT. 714
8	47.01 .30	Vite T.E. $\phi 8 \times 60$ VT. 141	Hexagonal head screw $\phi 8 \times 60$ VT. 141
9	42.08.25	Vite T.C.C.E. $\phi 12 \times 35$	Cheese-headed socket screw $\phi 12 \times 35$
10	42.08.26	Rondella rame $\phi 12$	Copper washer $\phi 12$
11	42.08.20	Gruppo freno idraulico	Hydraulic brake set
12	42.08.04	Molla forcella L.L. 500	Fork spring L.L. 500
13	42.08.27	Anello Seeger $\phi 32$	Circlip ring $\phi 32$
14	42.08.28	Boccola ammortizzatore	Shock absorber bush
15	42.08.29	Vite T.C.C.E. $\phi 10 \times 35$	Cheese-headed socket screw $\phi 10 \times 35$
16	42.08.03	Stelo $\phi 35$	Stem $\phi 35$
17	42.08.12	Dado fissaggio cavallotto	U Bolt securing nut
18	47.08.06	Rondella grower $\phi 10$	Grower washer $\phi 10$
19	42.08.30	Rondella $\phi 10 \times 30 \times 3$	Washer $\phi 10 \times 30 \times 3$
20	42.08.11	Silentbloc completo	Complete silentbloc
21	42.08.08	Parte inferiore morsetto	Lower part U-bolt
22	42.08.13	Vite T.E. $\phi 8 \times 30$	Hexagonal-headed screw $\phi 8 \times 30$
23	42.08.31	Parte superiore morsetto	Upper part U-bolt
24	42.08.15	Tappo forcella	Fork cap
25	42.08.16	Anello tenuta tappo	Cap seal ring
26	42.08.01	Trapezio superiors	Upper trapezium
27	42.08.23	Rondella dado cannotto	Sleeve washer
28	42.08.19	Dado cannotto $\phi 24$	Sleeve nut $\phi 24$
29	42.08.32	Vite T.C.C.E. $\phi 8 \times 30$	Cheese-headed socket screw $\phi 8 \times 30$
30	42.08.05	Canotto sterzo	Steering sleeve
31	15.06.14	Copricalotta sterzo	Steering cover guard
32	19.02.21	Cono sterzo	Steering cone
33	19.02.20	Calotta sterzo	Steering cover
34	24.03.05	Sfera $\phi 1/4$ "	Steel ball $\phi 1/4$ "
35	42.08.02	Trapezio inferiors	Lower trapezium
36	42.08.33	Anello elastico	Circlip
37	42.08.06	Gamba sinistra	Left leg
38	42.08.34	Vite T.C. $\phi 6 \times 8$	Screw T.C. $\phi 6 \times 8$
39	21.01.23	Rondella alluminio $\phi 6$ 831/47	Aluminium washer $\phi 6$ 831/47

Table 13B: Front Forks (Standard Marzocchi)

FORCELLA 350 N. 1F. D. MARZOCCHI
FORK 350 N. 1F. D. MARZOCCHI

TAV. N. 13B
TABLE 13B

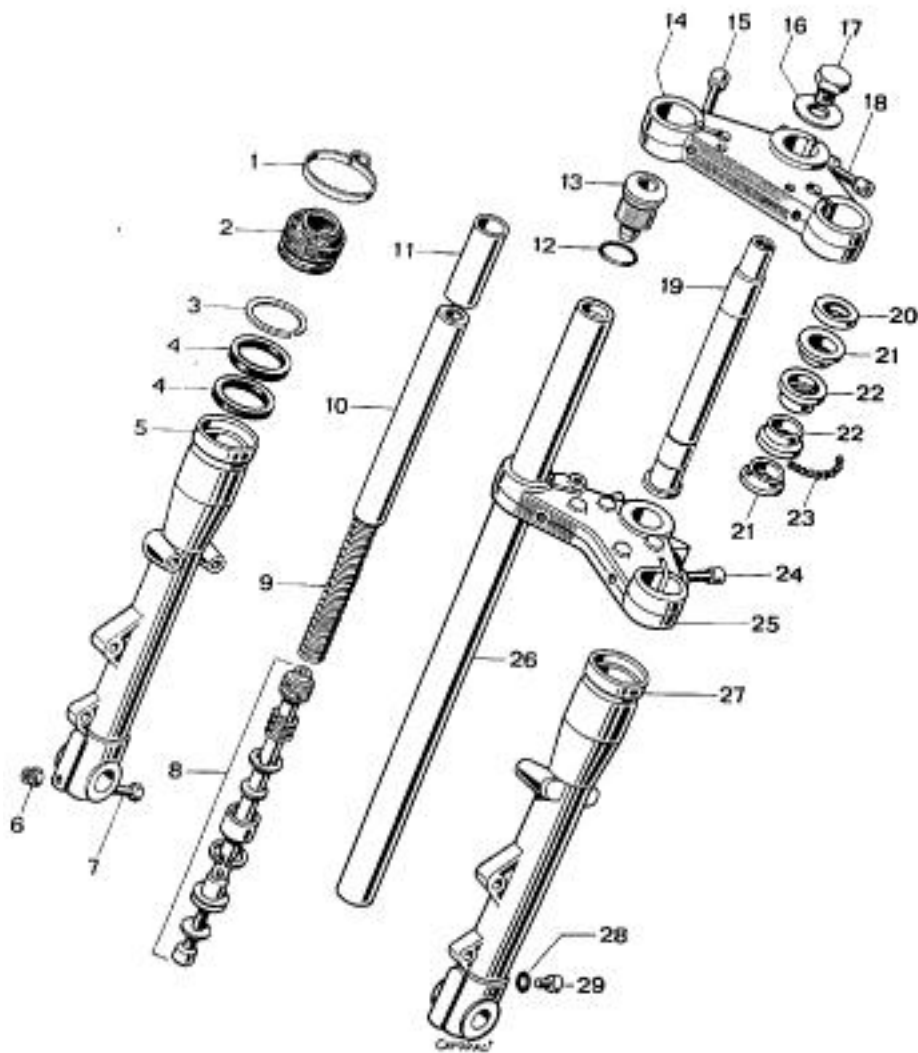


No.	Code	Denominazione	Description
1	42.08.17	Anello passafilo	Guiding slit ring
2	42.08.18	Gommono $\phi 34 \div 35$	Dust cover guard $\phi 34 \div 35$
3	42.08.24	Anello tenuta	Oil seal
4	42.08.14	Anello tenuta	Oil seal
5	42.08.07	Gamba destra	Right leg
6	47.03.22	Dado autobloccante $\phi 8$ MA VT. 324	Self-locking nut
7	42.08.35	Vite T.E. $\phi 8 \times 55$	Hexagonal head screw $\phi 8 \times 55$
8	42.08.20	Gruppo freno idraulico	Hydraulic brake set
9	42.08.04	Molla forcella	Fork spring
10	42.08.22	Tubo guida molla	Spring guiding pipe
11	42.08.21	Tubo per molla	Spring pipe
12	42.08.16	OR per tappo chiusura	Closing cap OR
13	42.08.15	Tappo chiusura	Closing cap
14	42.08.01	Piastra superiore	Upper trapezium
15	42.08.32	Vite T.C.C.E. $\phi 8 \times 30$	Cheese-headed socket screw $\phi 8 \times 30$
16	42.08.08	Cavallotto fissaggio manubrio	Handle bar U-bolt
17	42.08.36	Dado cannotto	Sleeve nut
18	42.08.37	Rondella cannotto	Sleeve washer
19	42.08.38	Vite T.E. $\phi 8 \times 55$	Hexagonal head screw $\phi 8 \times 55$
20	47.06.12	Vite T.C.C.E. $\phi 10 \times 40$	Cheese-headed socket screw $\phi 10 \times 40$
21	42.08.39	Canotto sterzo	Steering sleeve
22	15.06.14	Copricalotta sterzo	Steering cover guard
23	19.02.21	Cono sterzo	Steering cone
24	19.02.20	Calotta sterzo	Steering cover
25	24.03.05	Sfera $\phi 1/4"$	Steel ball $\phi 1/4"$
26	42.08.40	Vite T.C.C.E. $\phi 10 \times 45$	Cheese-headed socket screw $\phi 10 \times 45$
27	42.08.02	Piastra inferiore	Lower trapezium
28	42.08.03	Stelo	Stem
29	42.08.06	Gamba sinistra	Left leg
30	42.08.41	OR 2021	Ring
31	42.0842	Vite T.C. $\phi 6 \times 7$	Screw T.C. $\phi 6 \times 7$

Table 13C: Front Forks (Sport Marzocchi)

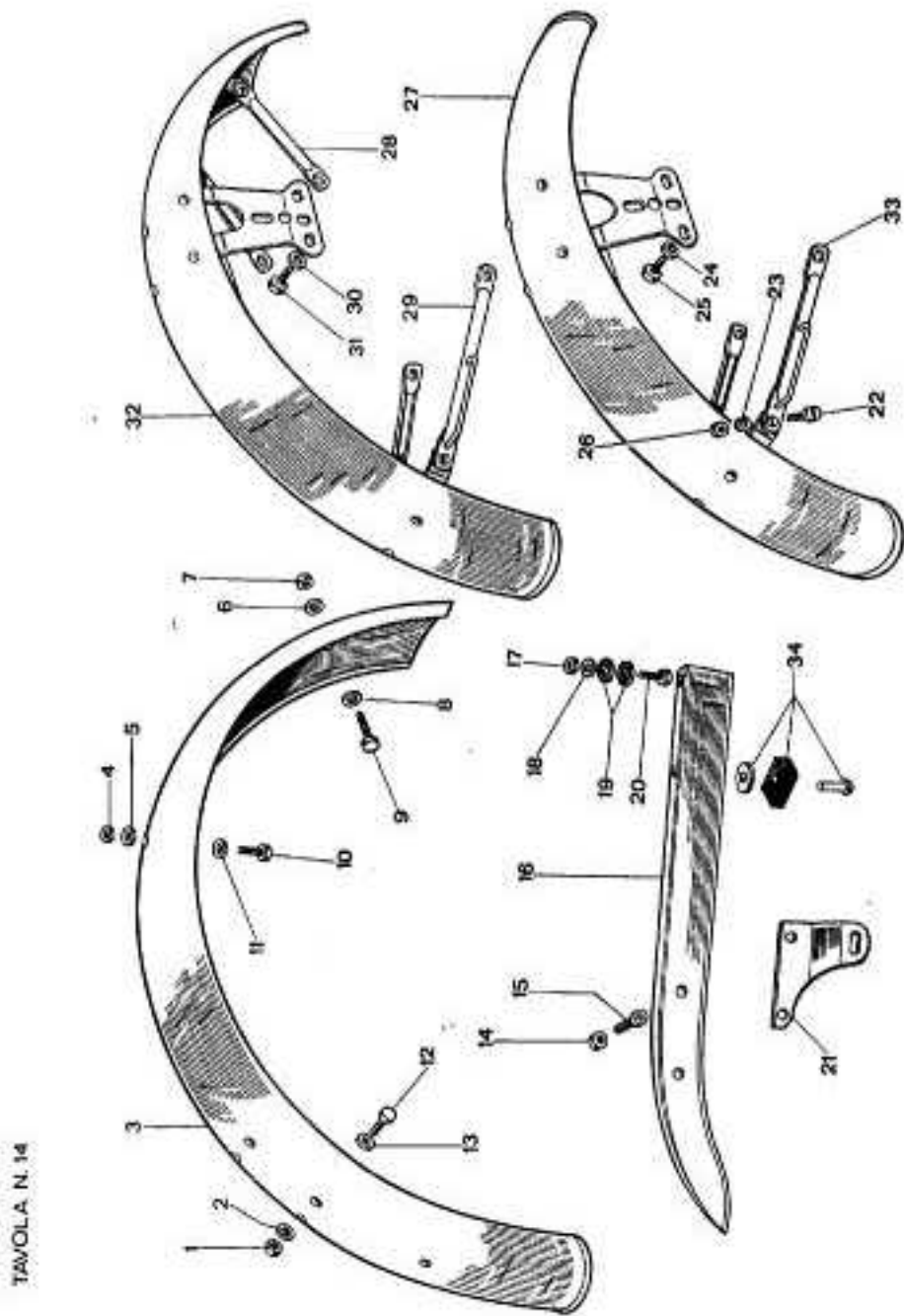
FORCELLA 350 SPORT 1F.D. MARZOCCHI
FORK 350 SPORT 1F.D. MARZOCCHI

TAV. N. 13C
TABLE 13C



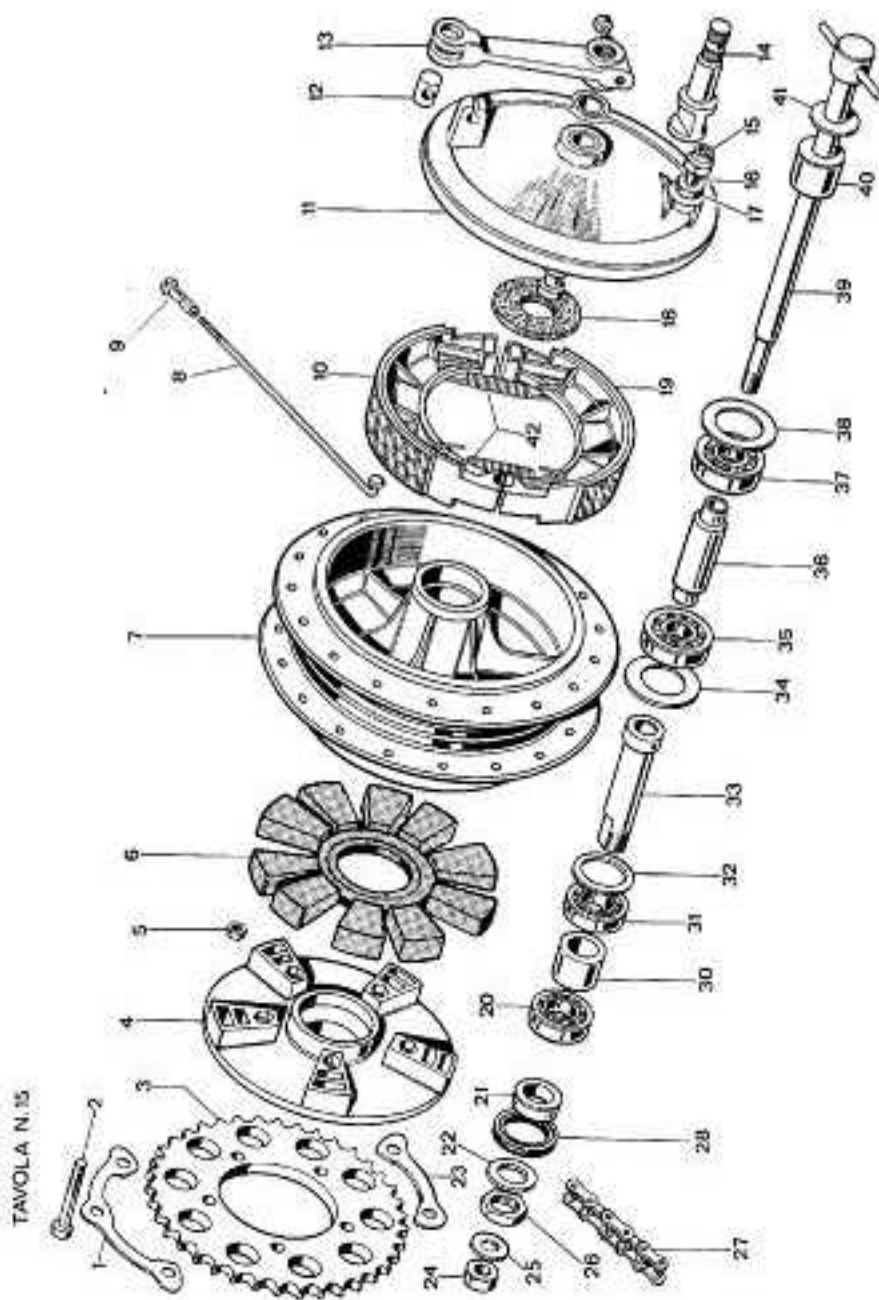
No.	Code	Denominazione	Description
1	42.08.17	Anello passafilo	Guiding slit ring
2	42.08.18	Gommone $\phi 34 \div 35$	Dust cover guard
3	42.08.24	Anello tenuta	Oil seal
4	42.08.14	Anello tenuta	Oil seal
5	42.11.05	Gamba destra	Right leg
6	47.03.22	Dado autobloccante $\phi 8$ MA VT. 324	Self-locking nut
7	42.08.35	Vite T.E. $\phi 8 \times 55$	Cheese-headed socket screw
8	42.08.20	Gruppo freno idraulico	Hydraulic brake set
9	42.08.04	Malta forcella	Fork spring
10	42.08.22	Tuba guida molla	Spring guiding pipe
11	42.08.21	Tuba per mollo	Spring pipe
12	42.08.16	OR per tappa chiusura	Closing cap OR
13	42.08.15	Tappa chiusura	Closing cap
14	42.11.02	Piastra superiore	Upper trapezium
15	47.06.12	Vite T.C.C.E. $\phi 10 \times 40$	Cheese-headed socket screw $\phi 8 \times 30$
16	42.08.37	Randella cannotta	Sleeve washer
17	42.08.36	Dada cannotta	Sleeve nut
18	47.06.15	Vite T.C.C.E. $\phi 8 \times 40$	Cheese headed socket screw $\phi 8 \times 40$
19	42.11.03	Cannotta sterza	Steering sleeve
20	15.06.14	Capricialatta sterzo	Steering cover guard
21	19.02.21	Cana sterza	Steering cone
22	19.02.20	Calatta sterza	Steering cover
23	24.03.05	Sfera $\phi 1/4"$	Steel ball 1/4" 22
24	42.08.40	Vite T.C.C.E. $\phi 10 \times 50$	Cheese-headed socket screw $\phi 10 \times 50$
25	42.08.02	Piastra inferiore	Lower trapezium
26	42.08.03	Stelo	Stem
27	42.11.04	Gamba sinistra	Left leg
28	42.08.41	OR. 2021	OR 2021
29	42.08.42	Vite T.C. $\phi 6 \times 7$	Screw T.C. $\phi 6 \times 7$

Table 14: Mudguards



No.	Code	Denominazione	Description
1	47.03.13	Dado 6x7,6	Nut - 6x7,6
2	47.07.03	Rondella $\phi 6 \times 13$	Washer - $\phi 6 \times 13$
3	37.04.19	Parafango post. N. e S.	Rear mudguard - Standard & Sport
4	47.03.13	Dado 6x7,6	Nut - 6x7,6
5	47.07.03	Rondella $\phi 6 \times 13$	Washer $\phi 6 \times 13$
6	47.07.03	Rondella $\phi 6 \times 13$	Washer
7	47.03.13	Dado 6x7,6	Nut - 6x7,6
8	47.07.05	Rondella $\phi 6 \times 25$	Washer - $\phi 6 \times 25$
9	47.01.06	Vite TE $\phi 6 \times 22$	Screw - TE - $\phi 6 \times 22$
10	47.01.06	Vite TE $\phi 6 \times 22$	Screw - TE - $\phi 6 \times 22$
11	47.07.05	Rondella $\phi 6 \times 25$	Washer - $\phi 6 \times 25$
12	47.01.04	Vite TE $\phi 6 \times 12$	Screw - TE - $\phi 6 \times 12$
13	47.07.05	Rondella $\phi 6 \times 25$	Washer - $\phi 6 \times 25$
14	47.03.03	Dado 5x5	Nut - 5x5
15	47.04.12	Vite TC $\phi 5 \times 8$	Screw - TC - $\phi 5 \times 8$
16	37.03.09	Carter copricatena N. e S.	Chain cover case - Standard & Sport
17	47.03.13	Dada 6x7,6	Nut - 6x7,6
18	47.07.13	Rondella $\phi 6 \times 18$	Washer - $\phi 6 \times 18$
19	21.01.51	Rondella	Washer
20	47.01.06	Vite TE $\phi 6 \times 22$	Screw - TE - $\phi 6 \times 22$
21	37.03.15	Attacco	Connection
22	47.02.02	Vite TC $\phi 5 \times 12$	Screw - TC - $\phi 5 \times 12$
23	47.08.02	Rondella elast. $\phi 5$	Spring washer - $\phi 5$
24	47.07.07	Rondella $\phi 8 \times 18$	Washer - $\phi 8 \times 18$
25	47.01.32	Vite TE $\phi 8 \times 20$	Screw - TE - $\phi 8 \times 20$
26	47.03.03	Dado 5x5	Nut - 5x5
27	37.04.18	Parafango ant. SPORT	Front mudguard - SPORT
28	45.03.12	Asta corta	Short rod
29	45.03.13	Asta lunga	Long rod
30	47.07.07	Rondella $\phi 8 \times 18$	Washer - $\phi 8 \times 18$
31	47.01.32	Vite TE $\phi 8 \times 20$	Screw - TE - $\phi 8 \times 20$
32	37.04.17	Parafango ant. NORMALE	Front mudguard - NORMAL
33	45.03.09	Asta	Rod
34	30.01.15	Paracolpo	Buffer

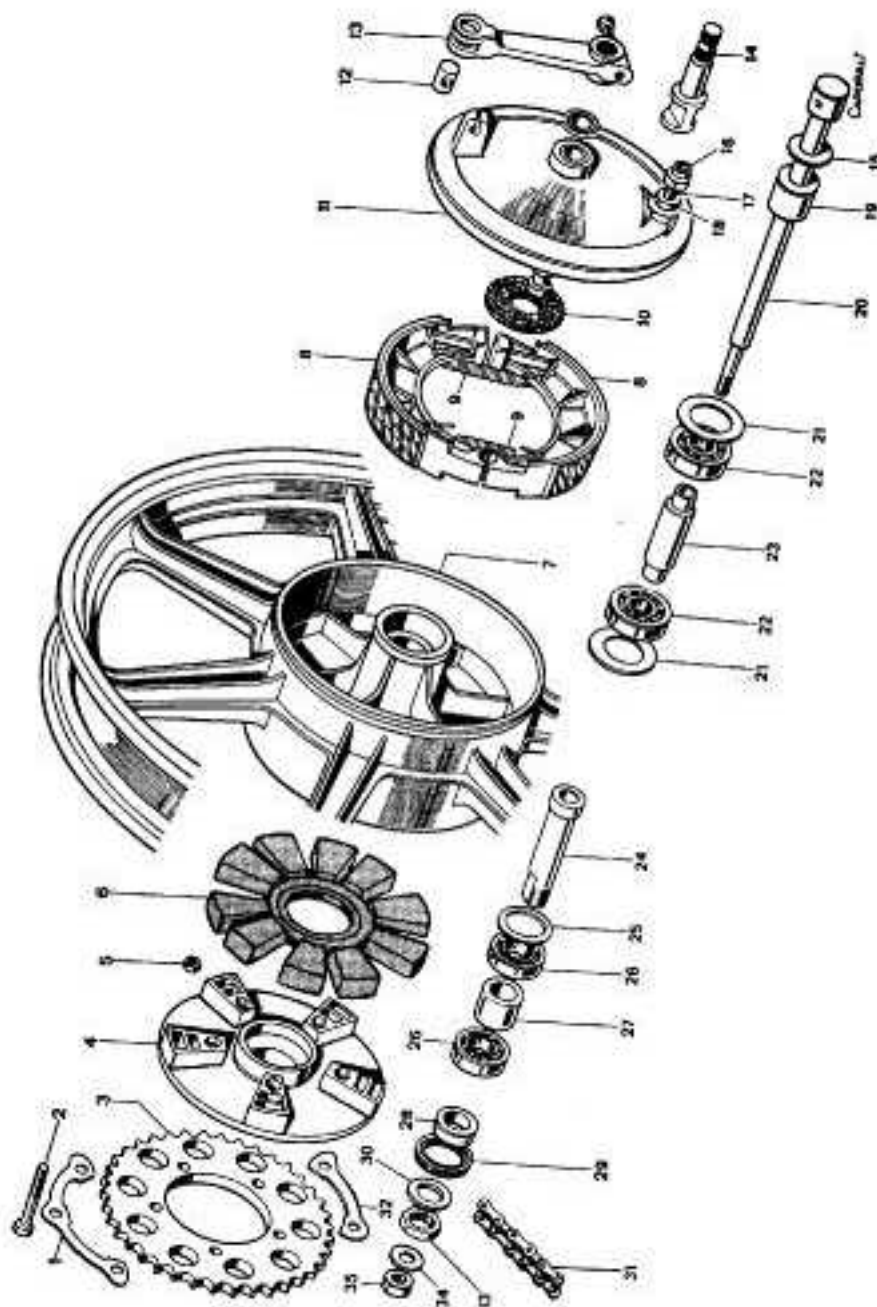
Table 15: Rear Spoked Hub (Sport)



No.	Code	Denominazione	Description
1	43.06.42	Piastrina	Plate
2	43.05.25	Vite TE	Screw - TE
3	43.06.41	Corona	Crown gear
4	43.06.58	Porta corona	Crown gear holder
5	43.05.26	Dado	Nut
6	43.06.39	Gomma parastrappi	Rubber spring drive gear
7	43.06.30	Corpo mozzo	Hub body
8	43.05.10	Raggio	Spoke
9	43.05.08	Nipples	Nipples
10	43.06.36	Ceppo	Shoe
11	43.06.43	Porta ceppi	Shoe holder
12	13.04.15	Barilino	Small barrel
13	43.06.34	Leva	Lever
14	43.06.46	Camma	Cam
15	43.05.59	Dado	Nut
16	43.05.41	Bullone TE	Bolt - TE
18	43.05.61	Dado	Nut
17	43.05.37	Feltro	Felt packing
19	43.06.36	Ceppo	Shoe
20	43.05.69	Cuscinetto	Bearing
21	43.05.13	Spessore	Distance washer
22	43.05.31	Rondella	Washer
23	43.05.30	Piastrina	Plate
24	43.05.24	Dado	Nut
25	43.05.67	Rondella	Washer
26	43.05.11	Dado	Nut
27	29.01.05	Catena	Chain
28	43.05.68	Anello di tenuta	Sealing ring
30	43.06.66	Distanziale	Spacer
31	43.05.69	Cuscinetto	Bearing
32	43.05.49	Rondella	Washer
33	43.05.12	Boccola filettata	Threaded bush
34	43.06.60	Rondella	Washer
35	43.06.61	Cuscinetto	Bearing
36	43.06.62	Distanziale	Spacer
37	43.06.61	Cuscinetto	Bearing
38	43.06.60	Rondella	Washer
39	43.05.17	Perno ruota	Wheel pin
40	43.06.63	Distanziale	Spacer
41	43.06.65	Rondella	Washer
42	43.05.06	Molla	Spring
	43.06.45	Mozzo compl. post SPORT	Complete rear hub SPORT
	43.01.14	Ruota compl post. SPORT	Complete rear wheel SPORT

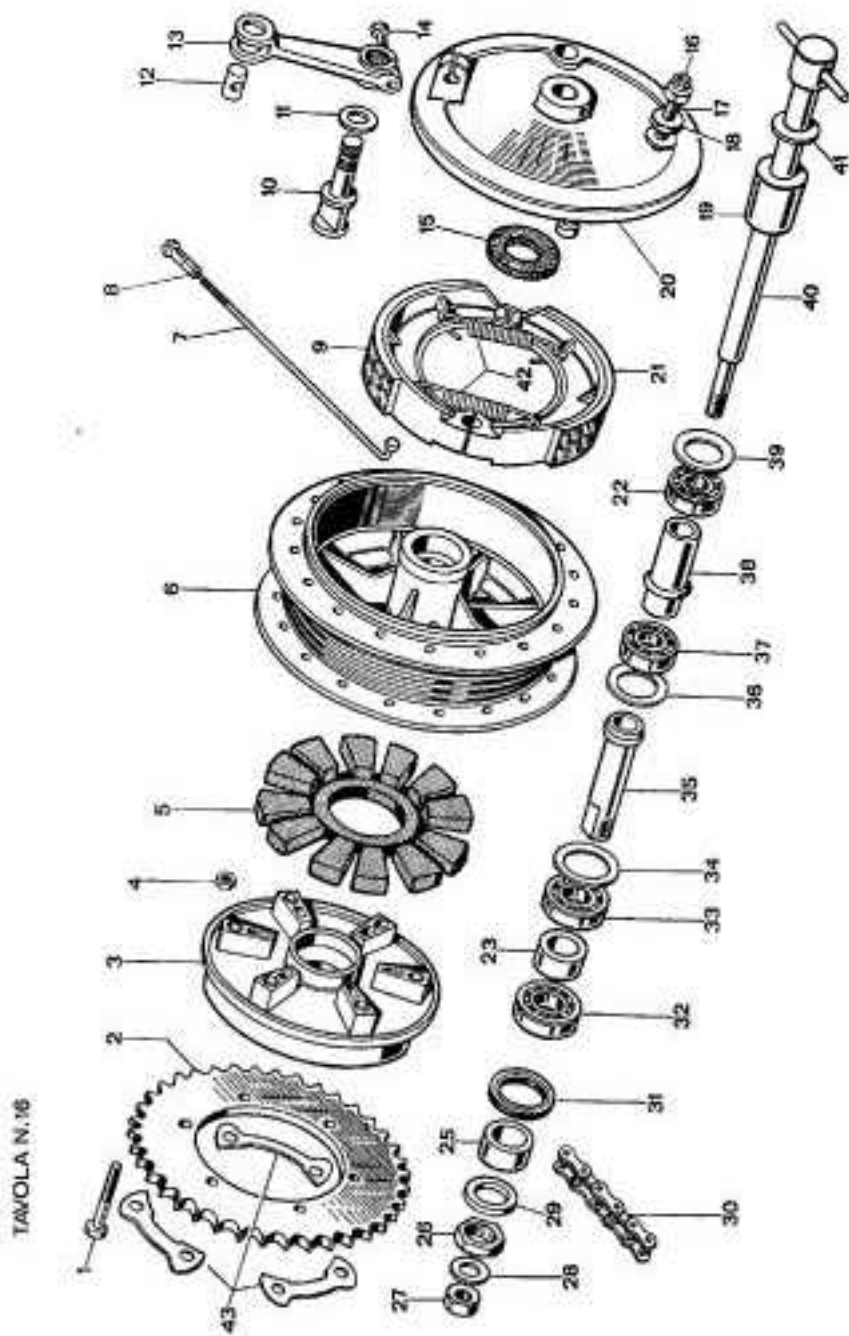
Table 15A: Rear Cast Wheel (Sport, Standard)

RUOTA POSTERIORE INTEGRALE 350 NORMALE E SPORT **TAVOLA N. 15 A**
INTEGRAL REAR WHEEL - 350 STANDARD AND SPORT **TABLE No. 15 A**



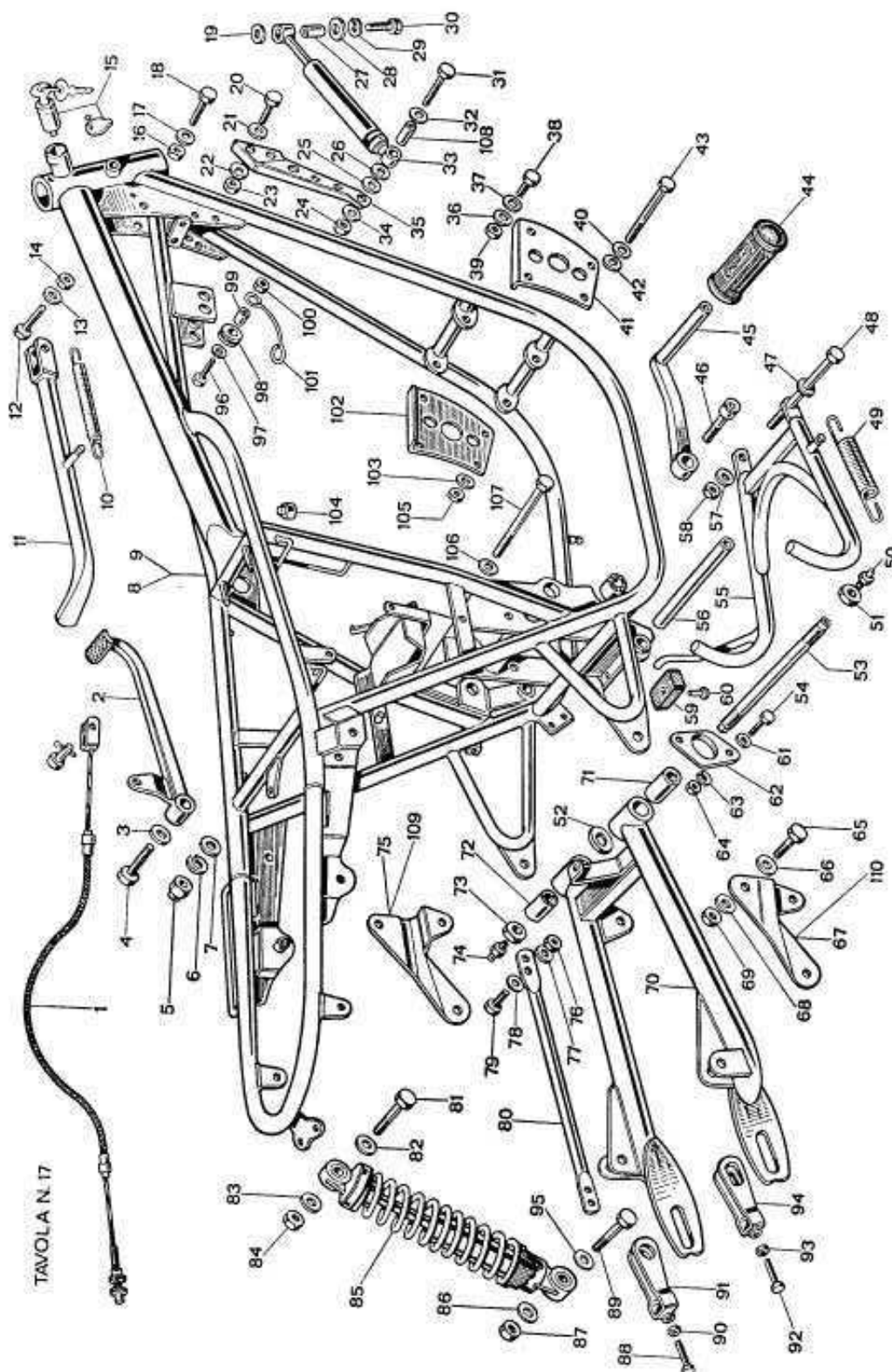
No.	Code	Denominazione	Description
1	43.06.42	Fermadadi 3 fori	Three-holes nut fastener
2	43.05.25	Vite T.E. $\phi 8 \times 55$	Hexagonal-head screw $\phi 8 \times 55$
3	43.06.41	Corona Z=38	Crown-gear Z=38
4	43.06.58	Portacorona	Crown-gear holder
5	43.05.26	Dado bloccaggio corona $\phi 8$	Crown-gear lock nut $\phi 8$
6	43.06.39	Gamma parastrappi	Flexible coupling
7	43.09.60	Ruota integrale posteriore nuda	Integral rear bare wheel
8	43.06.36	Ceppo con suola	Shoe with lining
9	43.05.06	Molla richiamo ceppi	Shoes return spring
10	43.05.37	Feltro di protezione	Protection felt
11	43.06.43	Piatto porta ceppi nudo	Bare brake plate
12	13.04.15	Barilino ancoraggio	Anchor barrel
13	43.06.34	Leva freno con vite	Brake lever and screw
14	43.06.46	Camma	Cam
15	43.06.65	Rondella perno ruota	Wheel spindle washer
16	43.05.59	Dado autobloccante $\phi 10 \times 1,5 \times 12$	Self-locking nut $\phi 10 \times 1,5 \times 12$
17	43.05.41	Vite T.E. $\phi 10 \times 1,5 \times 40$	Hexagonal-head screw $\phi 10 \times 1,5 \times 40$
18	43.05.61	Dado $\phi 10 \times 1,5 \times 6$ VT. 320	Nut $\phi 10 \times 1,5 \times 6$ VT320
19	43.06.63	Distanziale esterno perno ruota	Wheel spindle outer spacer
20	43.05.17	Perno ruota	Wheel spindle
21	43.06.60	Rondella conica	Tapered washer
22	43.06.61	Cuscinetto 17-47-14	Bearing 17-47-14
23	43.06.62	Distanziale cuscinetti ruota	Wheel bearings spacer
24	43.05.12	Boccola porta corona	Crown-gear supporting bush
25	43.05.49	Rondella conica	Tapered washer
26	43.05.69	Cuscinetto porta corona 20-42-12	Crown-gear bearing 20-42-12
27	43.06.66	Distanziale cuscinetti porta corona	Crown-gear bearings spacer
28	43.05.13	Spessore boccola porta corona	Crown-gear bushing spacer
29	43.05.68	Anello di tenuta	Oil seal
30	43.05.31	Rondella dado boccola porta corona	Crown-gear bushing nut washer
31	29.01.05	Catena ASA 50×96 BC	Chain ASA 50×96 BC
32	43.05.30	Fermadadi 2 fori	Two-holes nut fastener
33	43.05.11	Dado baccola porta corona	Crown-gear bushing nut
34	43.05.67	Rondella dado perno ruota	Wheel spindle nut washer
35	43.05.24	Dada perna ruota	Wheel spindle nut
	43.01.26	Ruota post. completa	Complete rear wheel

Table 16: Rear Spoked Hub (Standard)



No.	Code	Denominazione	Description
1	43.05.25	Vite	Screw
2	43.05.05	Corona	Crown gear
3	43.05.27	Porta corona	Crown gear holder
4	43.05.26	Dado	Nut
5	43.05.07	Gomma parastrappi	Rubber spring drive gear
6	43.05.29	Corpo mozzo	Hub body
7	43.05.10	Raggio	Spoke
8	43.05.08	Niples	Nipples
9	43.05.04	Ceppo	Shoe
10	43.05.35	Camma	Cam
11	43.05.55	Distanziale	Spacer
12	13.04.15	Barilino	Small barrel
13	43.05.20	Leva	Lever
14	43.05.57	Vite TE	Screw - TE
15	43.05.58	Feltro	Felt packing
16	43.05.59	Dado	Nut
17	43.05.60	Bullone TE	Bolt - TE
18	43.05.61	Dado	Nut
19	43.05.62	Distanziale	Spacer
20	43.05.21	Porta ceppi	Shoe holder
21	43.05.04	Ceppo	Shoe
22	43.05.63	Cuscinetto	Bearing
23	43.05.64	Distanziale	Spacer
25	43.05.13	Spessore	Distance washer
26	43.05.11	Dado	Nut
27	43.05.24	Dado	Nut
28	43.05.67	Rondella	Washer
29	43.05.31	Rondella	Washer
30	29.01.05	Catena	Chain
31	43.05.68	Anello di tenuta	Sealing ring
32	43.05.69	Cuscinetto	Bearing
33	43.05.69	Cuscinetto	Bearing
34	43.05.70	Rondella	Washer
35	43.05.12	Boccola	Bush
36	43.05.56	Rondella	Washer
37	43.05.63	Cuscinetto	Bearing
38	43.05.54	Distanziale	Spacer
39	43.05.56	Rondella	Washer
40	43.05.17	Perno ruota	Wheel pin
41	43.05.53	Rondella	Washer
42	43.05.06	Molla	Spring
43	43.05.30	Piastrina	Plate
	43.05.33	Mozzo compl. post. NORMALE	Complete rear hub - NORMAL
	43.01.12	Ruota compl. post. NORMALE	Complete rear wheel - NORMAL

Table 17: Frame



No.	Code	Denominazione	Description
1	36.01.19	Trasmissione freno post. N. e S.	Rear brake cable - Standard & Sport
2	45.02.22	Pedale freno	Brake pedal
3	47.07.17	Rondella $\phi 8 \times 24$	Washer - $\phi 8 \times 24$
4	47.01.15	Vite TE $\phi 8 \times 14$	Screw - TE $\phi 8 \times 14$
5	47.03.22	Dada $8 \times 10,4$	Nut - $8 \times 10,4$
6	47.08.05	Rondella elast. $\phi 8$	Spring washer - $\phi 8$
7	47.07.07	Rondella $\phi 8 \times 18$	Washer - $\phi 8 \times 18$
8	45.01.15	Telaio Normale A/2	Frame - Standard A/2
	19.02.18		
9	45.01.16	Telaio Sport A/1	Frame - Sport A/1
	19.02.18		
10	22.01.23	Molla	Spring
11	45.02.21	Cavalletto laterale	Side prop stand
12	47.01.23	Vite TE $\phi 8 \times 30$	Screw - TE - $\phi 8 \times 30$
13	47.07.07	Rondella $\phi 8 \times 18$	Washer - $\phi 8 \times 18$
14	47.03.12	Dado $8 \times 6,5$	Nut - $8 \times 6,5$
15	19.02.19	Antifurto	Antitheft
16	47.03.03	Dado 5×5	Nut - 5×5
17	47.07.02	Rondella $\phi 5 \times 11$	Washer - $\phi 5 \times 11$
18	47.01.03	Vite TE $\phi 5 \times 14$	Screw - TE - $\phi 5 \times 14$
19	47.07.03	Rondella $\phi 6 \times 13$	Washer - $\phi 6 \times 13$
20	47.01.05	Vite TE $\phi 6 \times 16$	Screw - TE - $\phi 6 \times 16$
21	47.07.03	Rondella $\phi 6 \times 13$	Washer - $\phi 6 \times 13$
22	47.07.03	Rondella $\phi 6 \times 13$	Washer - $\phi 6 \times 13$
23	47.03.04	Dado 6×5	Nut - 6×5
24	47.03.04	Dado 6×5	Nut - 6×5
25	47.07.07	Rondella $\phi 8 \times 18$	Washer - $\phi 8 \times 18$
26	47.07.03	Rondella $\phi 6 \times 13$	Washer - $\phi 6 \times 13$
27	14.05.13	Boccola	Bush
28	47.07.13	Rondella $\phi 6 \times 18$	Washer - $\phi 6 \times 18$
29	47.08.05	Rondella elast. $\phi 8$	Spring washer - $\phi 8$
30	47.01.07	Vite TE $\phi 6 \times 30$	Screw - TE - $\phi 6 \times 30$
31	47.01.07	Vite TE $\phi 6 \times 30$	Screw - TE - $\phi 6 \times 30$
32	47.07.03	Rondella $\phi 6 \times 13$	Washer - $\phi 6 \times 13$
33	40.01.08	Ammortizzatore sterzo	Steering damper
34	47.07.03	Rondella $\phi 6 \times 13$	Washer - $\phi 6 \times 13$
35	15.06.19	Attacco ammortizz. sterzo	Connection piece for steering damper
36	47.07.07	Rondella $\phi 8 \times 18$	Washer - $\phi 8 \times 18$
37	47.07.07	Rondella $\phi 8 \times 18$	Washer - $\phi 8 \times 18$
38	47.01.32	Vite TE $\phi 8 \times 20$	Screw - TE - $\phi 8 \times 20$
39	47.03.22	Dado $\phi 8 \times 10,4$	Nut - $\phi 8 \times 10,4$
40	47.07.07	Rondella $\phi 8 \times 18$	Washer - $\phi 8 \times 18$
41	15.06.07	Supporto motore	Engine mounting - Right side
42	47.07.07	Rondella $\phi 8 \times 18$	Washer - $\phi 8 \times 18$
43	47.01.48	Vite TE $\phi 8 \times 120$	Screw - TE - $\phi 8 \times 120$
14	30.01.22	Copripedana	Footrest cover
45	45.02.19	Staffa	Stirrup
46	47.06.07	Vite TCCE $\phi 10 \times 30$	Screw - TCCE - $\phi 10 \times 30$
47	47.07.09	Rondella $\phi 10 \times 21$	Washer - $\phi 10 \times 21$
48	47.01.13	Vite TE $\phi 10 \times 140$	Screw - TE - $\phi 10 \times 140$

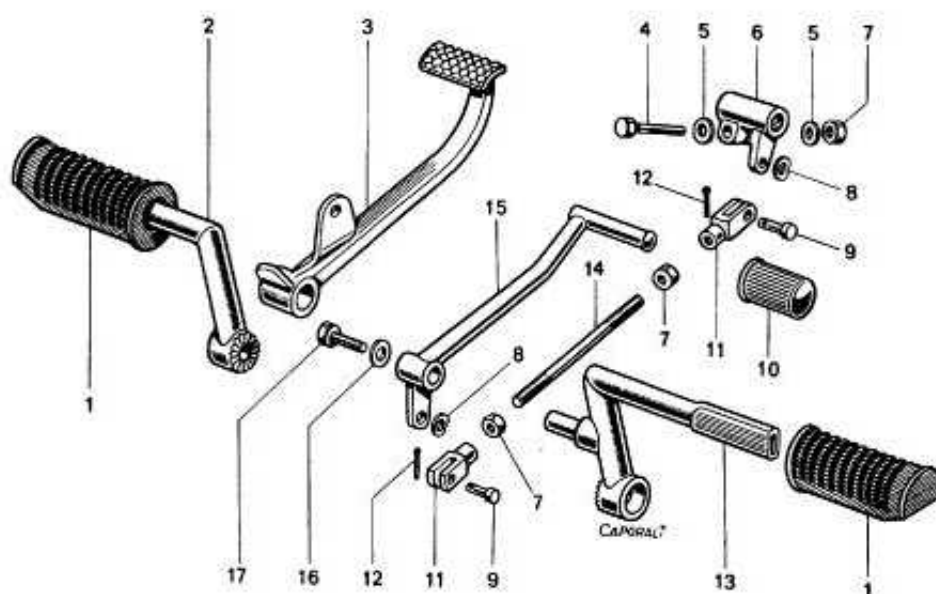
continued on next page

<i>continued from previous page</i>			
No.	Code	Denominazione	Description
49	22.01.40	Molla	Spring
50	26.01.01	Ingrassatore	Lubricating nipple
51	47.03.25	Dado 20×9	Nut - 20×9
52	15.06.16	Rondella	Washer
53	14.04.17	Perno	Pin
54	47.01.05	Vite TE $\phi 6 \times 13$	Screw - TE - $\phi 6 \times 16$
55	45.02.20	Cavalletto	Prop stand
56	14.05.12	Distanziale	Spacer
57	15.06.17	Rondella	Washer
58	47.03.09	Dado 10×6	Nut - 10×6
59	30.01.15	Paracoplo	Bumper
60	26.01.21	Ribattino	Rivet
61	47.07.03	Rondella $\phi 6 \times 13$	Washer - $\phi 6 \times 13$
62	15.06.02	Piastrina	Plate
63	47.08.03	Rondella elast. $\phi 6$	Spring washer - $\phi 6$
64	47.03.04	Dado 6×5	Nut - 6×5
65	47.01.19	Vite TE $\phi 10 \times 20$	Screw - TE - $\phi 10 \times 20$
66	47.07.09	Rondella $\phi 10 \times 21$	Washer - $\phi 10 \times 21$
67	15.06.12	Supporto silenz. norm. destro	Silencer support - Right side - N.
68	47.07.09	Rondella $\phi 10 \times 21$	Washer - $\phi 10 \times 21$
69	47.03.09	Dado 10×6	Nut - 10×6
70	45.01.17	Forcellone	Fork
71	25.02.12	Boccola	Bush
72	25.02.12	Boccola	Bush
73	47.03.24	Dado 14×8	Nut - 14×8
74	26.01.01	Ingrassatore	Lubricating nipple
75	15.06.13	Supporto silenz. norm. sinistro	Silencer support - Left side - N.
76	47.03.20	Dado 7×8,8	Nut - 7×8,8
77	47.07.06	Rondella $\phi 7 \times 14$	Washer - $\phi 7 \times 14$
78	47.07.06	Rondella $\phi 7 \times 14$	Washer - $\phi 7 \times 14$
79	47.01.38	Vite TE $\phi 7 \times 30$	Screw - TE - $\phi 7 \times 30$
80	45.03.08	Tirante	Stay rod
81	47.01.27	Vite TE $\phi 10 \times 40$	Screw - TE - $\phi 10 \times 40$
82	47.07.09	Rondella $\phi 10 \times 21$	Washer - $\phi 10 \times 21$
83	47.07.09	Rondella $\phi 10 \times 21$	Washer - $\phi 10 \times 21$
84	47.03.09	Dado 10×6	Nut - 10×6
85	40.01.07	Ammortizzatore	Shock absorber
86	47.07.09	Rondella $\phi 10 \times 21$	Washer - $\phi 10 \times 21$
87	47.03.09	Dado 10×6	Nut - 10×6
88	47.01.49	Vite TE $\phi 6 \times 50$	Screw - TE - $\phi 6 \times 50$
89	47.01.40	Vite TE $\phi 10 \times 45$	Screw - TE - $\phi 10 \times 45$
90	47.03.04	Dado 6×5	Nut - 6×5
91	15.06.10	Tendicatena sin.	Chain stretcher - Left side
92	47.01.49	Vite TE $\phi 6 \times 50$	Screw - TE - $\phi 6 \times 50$
93	47.03.04	Dado 6×5	Nut - 6×5
94	15.06.09	Tendicatena des.	Chain Stretcher - Right side
95	47.07.09	Rondella $\phi 10 \times 21$	Washer - $\phi 10 \times 21$
96	47.01.36	Vite TE $\phi 6 \times 25$	Screw - TE - $\phi 6 \times 25$
97	47.07.03	Rondella $\phi 6 \times 13$	Washer - $\phi 6 \times 13$
98	30.01.26	Antivibrante	Vibration damper
99	14.05.11	Boccola	Bush

continued on next page

<i>continued from previous page</i>			
No.	Code	Denominazione	Description
100	47.03.04	Dado 6×5	Nut - 6×5
101	22.01.42	Passafilo	Wire lead
102	15.06.08	Supporto motore sin.	Engine mounting - Left side
103	47.08.05	Rondella elast. ϕ 8	Spring washer - ϕ 8
104	30.01.28	Cappuccia	Cap
105	47.03.22	Dado 8×10,4	Nut - 8×10,4
106	47.07.07	Rondella ϕ 8×18	Washer - ϕ 8×18
107	47.01.48	Vite TE ϕ 8×120	Screw - TE - ϕ 8×120
108	14.05.13	Boccola	Bush
109	15.06.21	Supporto silenz. sport sin.	Silencer support - Left side - S.
110	15.06.20	Supporto silenz. sport destro	Silencer support - Right side - 0.

Table 17A: Rearset Footrests (Sport)

STAFFE ARRETRATE 350 SPORT
REAR BRACKETS 350 SPORTTAV. N. 17 A
TABLE NO. 17 A

No.	Code	Denominazione	Description
1	30.01.37	Pedana appoggia piedi	Footrest
2	45.02.32	Staffa sinistra arretrata	Left-hand rear bracket
3	45.02.33	Pedale frena staffe arretrate	Rear brackets brake pedal
4	47.01.07	Vite T.E. $\phi 6 \times 30$ VT. 106	Hexagonal head screw $\phi 6 \times 30$ VT. 106
5	47.07.03	Rondella piana $\phi 6 \times 13$ VT. 702	Plain washer $\phi 6 \times 13$ VT. 702
6	45.02.35	Mozzo rinvio comando cambio	Speed-gear control transmission hub
7	47.03.04	Dado $\phi 6 \times 5$ VT. 302	Nut $\phi 6 \times 5$ VT. 302
8	47.08.03	Rondella elastica $\phi 6$	Spring washer $\phi 6$
9	13.04.23	Perno collegamento forcella UNI 1676	Fork link pin UNI 1676
10	30.01.21	Pedanina leva cambio	Speed-gear lever toeboard
11	28.01.19	Forcella foro $\phi 6$ MA UNI 1676	Fork with $\phi 6$ MA pinhole UNI 1676
12	26.01.23	Copiglia $\phi 1 \times 15$	Split pin $\phi 1 \times 15$
13	45.02.31	Staffa destra arretrata	Right-hand rear bracket
14	13.04.22	Tirante rinvio comando cambio	Speed-gear control transmission rod
15	45.02.34	Leva cambio staffe arretrate	Rear brackets shift lever
16	47.07.07	Rondella piana $\phi 8 \times 18$ VT. 707	Flat washer $\phi 8 \times 18$ VT. 707
17	47.01.32	Vite T.E. $\phi 8 \times 20$ VT. 144	Hexagonal head screw $\phi 8 \times 20$ VT. 144

Table 18: Front Spoked Drum Hub (Standard)

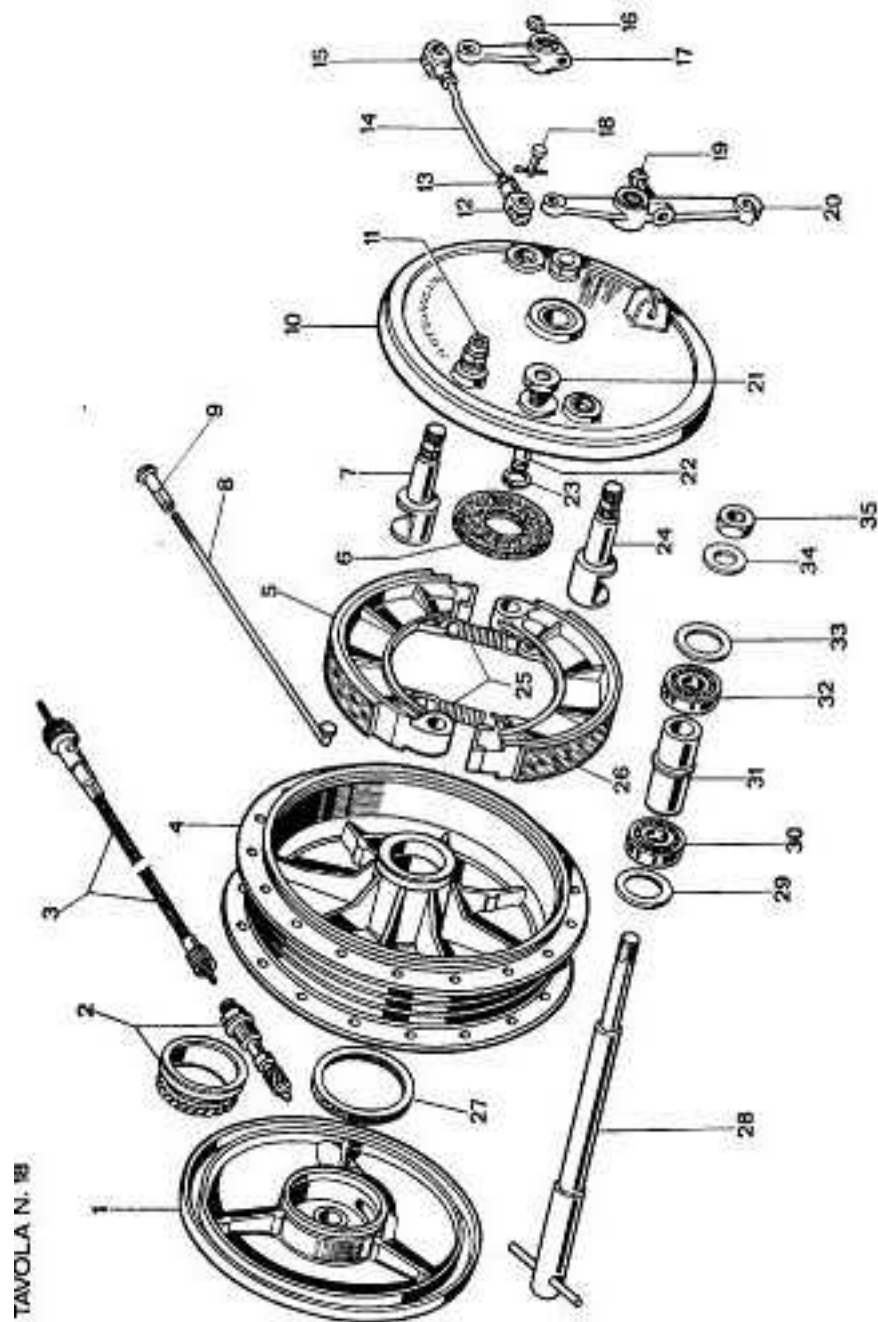
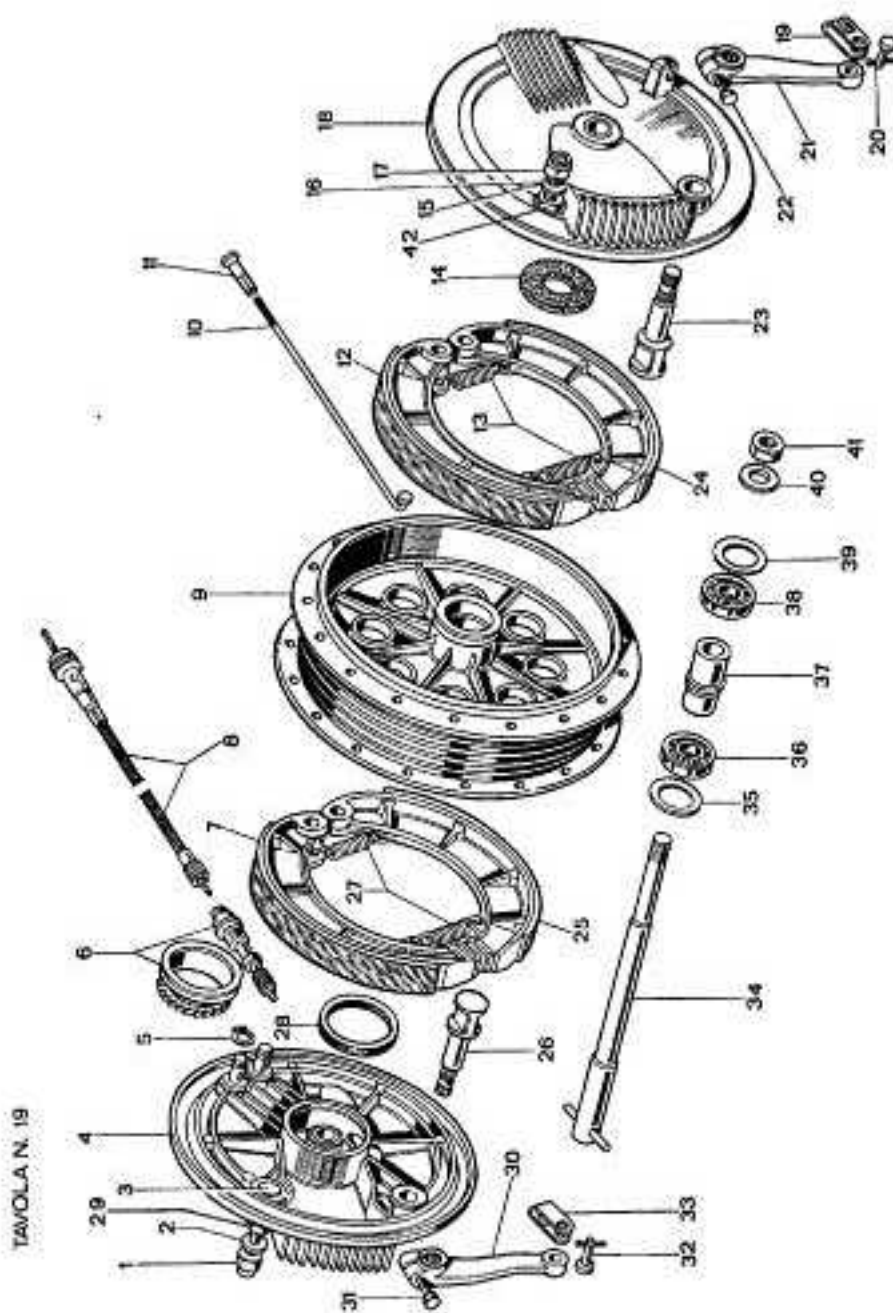


Table 18

Front Spoked Drum Hub (Standard)

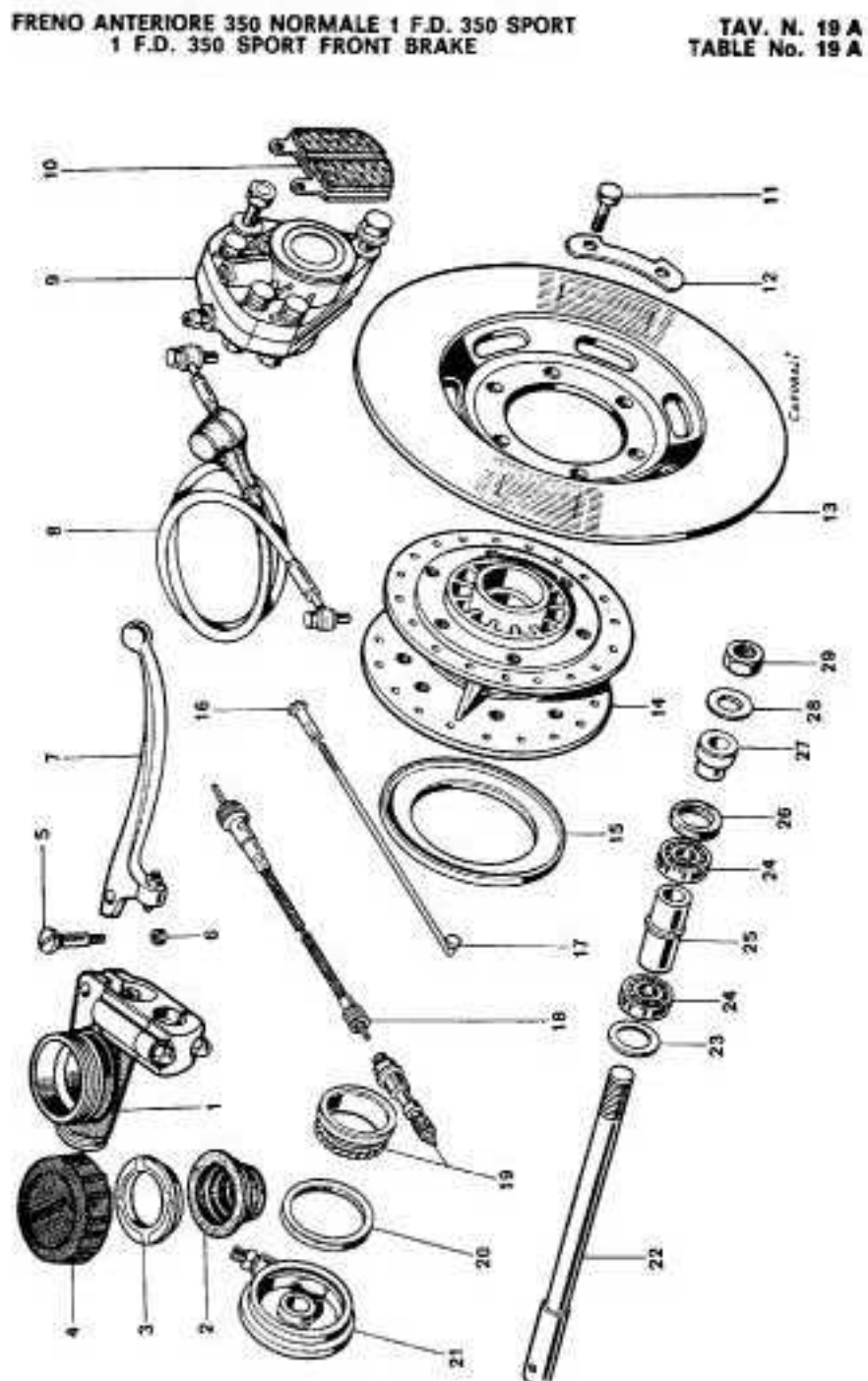
No.	Code	Denominazione	Description
1	43.05.14	Coperchio	Cover
2	46.03.10	Rinvio	Intermediate gear
3	46.03.09	Contachilometri	Speedometer cable
4	43.05.28	Corpo mozzo	Hub body
5	43.05.02	Ceppo	Shoe
6	43.05.37	Feltro	Felt packing
7	43.05.34	Camma	Cam
8	43.05.09	Raggio	Spoke
9	43.05.08	Niples	Nipples
10	43.05.15	Porta ceppi	Shoe holder
11	43.05.36	Bullone con dado	Bolt with nut
12	43.05.38	Forcellino	Fork
13	43.05.39	Dado	Nut
14	43.05.40	Tirante piegato	Bent stay rod
15	43.05.38	Forcellino	Fork
16	43.05.42	Bullone TE	Bolt
17	43.05.19	Leva	Lever
18	43.05.43	Perno	Pin
19	43.05.44	Vite TE	Screw - TE
20	43.05.18	Leva	Lever
21	43.05.45	Dado	Nut
22	43.05.46	Perno	Pin
23	43.05.47	Anello Seeger	Seeger Ring
24	43.05.34	Camma	Cam
25	43.05.06	Molla	Spring
26	43.05.02	Ceppo	Shoe
27	43.05.48	Anello di tenuta	Sealing ring
28	43.05.16	Perno ruota	Wheel pin
29	43.05.49	Rondella	Washer
30	43.05.50	Cuscinetto	Bearing
31	43.05.51	Distanziale	Spacer
32	43.05.50	Cuscinetto	Bearing
33	43.05.49	Rondella	Washer
34	43.05.71	Rondella	Washer
35	43.05.23	Dado	Nut
	43.05.32	Mozzo compl. ant. NORMALE	Complete front hub - NORMAL
	43.01.11	Ruota compl. ant. NORMALE	Complete front wheel - NORMAL

Table 19: Front Spoked Drum Hub (Sport)



No.	Code	Denominazione	Description
1	43.06.47	Dado	Nut
2	43.06.48	Rondella	Washer
3	43.06.49	Bullone TE	Bolt-TE
4	43.06.32	Portaceppi	Shoe holder
5	43.06.50	Anello elastico	Circlip
6	43.03.10	Rinvio contachilometri	Speedomeer transmission
8	43.06.35	Ceppo	Shoe
9	46.03.09	Trasmissione contachilometri	Speedometer cable
7	43.06.40	Corpo Mozzo	Hub body
10	43.05.09	Raggio	Spoke
11	43.05.08	Niples	Nipples
12	43.06.35	Ceppo	Shoe
13	43.05.35	Molla	Spring
14	43.05.37	Feltro	Felt packing
15	43.06.48	Rondella	Washer
16	43.06.49	Bullone TE	Bolt - TE
17	43.06.47	Dado	Nut
18	43.06.31	Portaceppi	Shoe holder
19	43.06.51	Attacco	Connection piece
20	43.06.52	Perno	Pin
21	43.06.53	Leva	Lever
22	43.06.54	Vite TE	Screw - TE
23	43.06.46	Camma	Cam
24	43.06.35	Ceppo	Shoe
25	43.06.35	Ceppo	Shoe
26	43.06.46	Oliva	Eye pin
27	43.05.06	Molla	Spring
28	43.05.48	Anello tenuta	Sealing ring
29	43.06.64	Dado	Nut
30	43.06.55	Leva	Lever
31	43.06.54	Vite TE	Screw - TE
32	43.06.52	Perno	Pin
33	43.06.51	Attacco	Connection piece
34	43.05.16	Perno ruota	Wheel pin
35	43.05.49	Rondella	Washer
36	43.05.50	Cuscinetto	Bearing
37	43.06.56	Distanziale	Spacer
38	43.05.50	Cuscinetto	Bearing
39	43.05.49	Rondella	Washer
40	43.05.23	Rondella	Washer
41	43.05.71	Dado	Nut
42	43.06.64	Dado	Nut
	43.06.44	Mozzo compl. ant. SPORT	Complete front hub - SPORT
	43.01.13	Ruota compl. ant. SPORT	Complete front wheel - SPORT

Table 19A: Front Spoked Disk Hub (Sport)

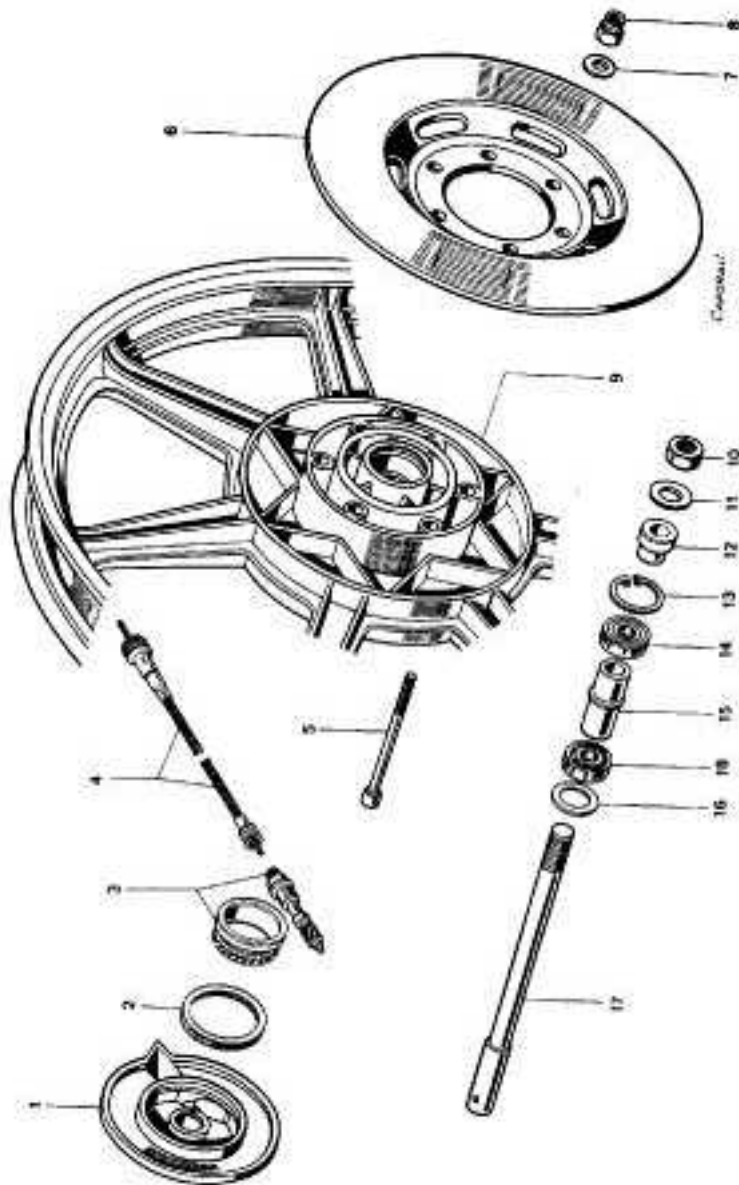


No.	Code	Denominazione	Description
1	43.09.16	Corpo pompa	Pump Body
2	43.09.17	Membrana	Membrane
3	43.09.18	Diaframma	Diaphragm
4	43.09.19	Tappo	Cap
5	43.07.24	Vite per leva freno	Brake lever screw
6	47.03.04	Dado basso $\phi 6 \times 4$	$\phi 6 \times 4$ short screw nut
7	43.07.20	Leva con registro	Lever with adjuster
8	43.09.10	Tubo olio con 2 raccordi	Oil Pipe with 2 joints
9	43.09.08	Pinza $\phi 41$	Caliper $\phi 41$
10	43.09.11	Pastiglia	Pad
11	43.07.01	Vite T.E. $\phi 8 \times 25$	Hexagonal-head screw $\phi 8 \times 25$
12	43.07.02	Fermadadi a 2 fori	Nut fastener with 2 holes
13	43.07.03	Disco freno $\phi 260$	Disc
14	43.09.01	Corpo mozzo nudo A 30 FR 2 dischi	Bare hub body A 30 FR 2 disc
15	43.09.02	Dischetto	Anchor disc
16	43.09.06	Niples	Nipples
17	43.09.07	Raggio	Spoke
18	46.03.09	Trasmissione kontakm.	Speedometer cable
19	46.03.17	Rinvio per kontakm.	Speedometer trasmission
20	43.07.15	Guarnizione a labbro	Lip seal
21	43.07.06	Coperchio laterale	Side cap
22	43.09.03	Perno ruota $\phi 17$	Wheel $\phi 17$ Pin
23	43.05.49	Rondella conica	Tapered washer
24	43.05.50	Cuscinetto 17-40-12	17-40-12 Bearing
25	43.07.05	Distanziale cuscinetti	Bearing spacer
26	43.07.11	Anello tenuta	Oil seal
27	43.07.10	Spessore con colletto	Collared shim
28	43.07.09	Rondella piana	Flat washer
29	43.07.08	Dado esagonale	Hexagonal nut
	43.09.09	Pompa completa $\phi 16$	Complete pump $\phi 16$
	43.09.20		Master Cylinder repair kit 16mm

Table 19B: Front Cast Wheel (Sport, Standard)

RUOTA ANTERIORE INTEGRALE 350 NORMALE E SPORT
INTEGRAL FRONT WHEEL - 350 STANDARD AND SPORT

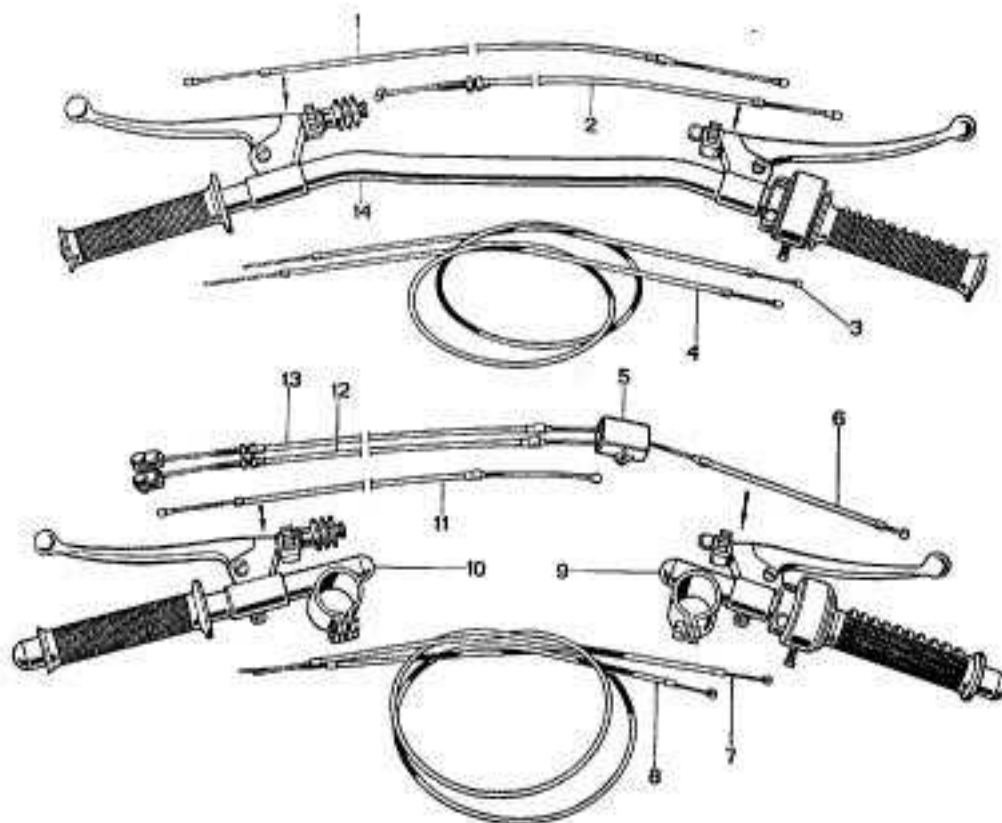
TAVOLA N. 19 B
TABLE No. 19 B



No.	Code	Denominazione	Description
1	43.09.50	Coperchio laterale	Side cap
2	43.07.15	Guarnizione a labbro	Lip seal
3	46.03.17	Rinvio per contachilometri	Speedometer transmission
4	46.03.09	Trasmissione contachilometri	Speedometer cable
5	43.09.51	Vite T.C.C.E. $\phi 8 \times 80$	Cheese-headed socket screw $\phi 8 \times 50$
6	43.07.03	Disco freno $\phi 260$	Brake disc $\phi 260$
7	43.09.52	Rondella piana $\phi 8 \times 17 \times 1$	Flat washer $\phi 8 \times 17 \times 1$
8	47.03.22	Dado autobloccante $\phi 8 \times 10,4$ VT. 324	Self-locking nut $\phi 8 \times 10,4$ VT. 324
9	43.09.53	Ruota integrale anteriore nuda	Integral bare front wheel
10	43.07.08	Dado perno ruota	Wheel spindle nut
11	43.07.09	Rondella perno ruota	Wheel spindle washer
12	43.09.54	Spessore con colletto	Collared shim
13	43.05.55	Anello Seeger	Retaining ring J 40 \times 1,75
14	43.09.55	Cuscinetto 17-40-12 (schermato)	Bearing 17-40-12 (screened)
15	43.07.05	Distanziale cuscinetti	Bearings spacer
16	43.05.49	Rondella conica	Tapered washer
17	43.09.03	Perno ruota $\phi 17$	Wheel spindle $\phi 17$
18	43.05.50	Cuscinetto 17-40-12	Bearing 17-40-12

Table 20: Cables

TAVOLA N. 20

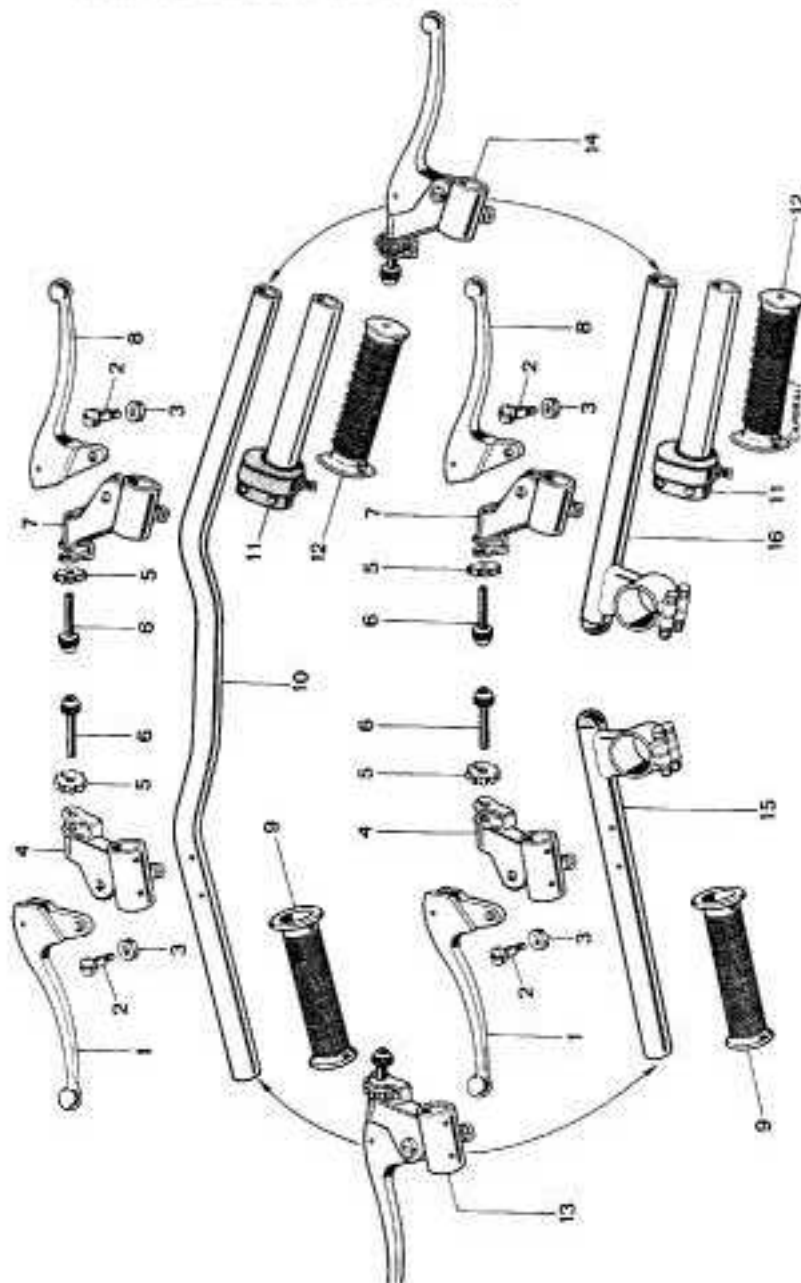


No.	Code	Denominazione	Description
1	36.01.20	Frizione	Clutch
2	36.01.18	Freno anteriore N.	Front brake - N.
3	36.01.21	Carburatore lunga N.	Carburettor - Long - N.
4	36.01.22	Carburatore corta N.	Carburettor - Short - N.
5	19.02.25	Sdoppiatore S.	Bifurcator
6	36.01.24	Freno ant. centrale S.	Front central brake - S.
7	36.01.25	Carburatore lunga S.	Carburettor - Long - S.
8	36.01.26	Carburatore corta S.	Carburettor - Short - S.
9	41.01.09	Manubrio des. S.	Right handle bar - S.
10	41.01.10	Manubrio sin. S.	Left handle bar - S.
11	36.01.20	Frizione	Clutch
12	36.01.23	Freno ant. biforcazione S.	Front brake bifurcation - S.
13	36.01.23	Freno ant. biforcazione S.	Front brake bifurcation - S.
14	41.01.08	Manubria N.	Handle bar - N.

Table 20A: Handlebars (Drum brake)

MANUBRIO 350 NORMALE (con freno a tamburo)
STANDARD 350 Handle bar (with drum brake)
MANUBRIO 350 SPORT (con freno a tamburo)
SPORT 350 Handle bar with drum brake)

TAVOLA N. 20 A
TABLE No. 20 A



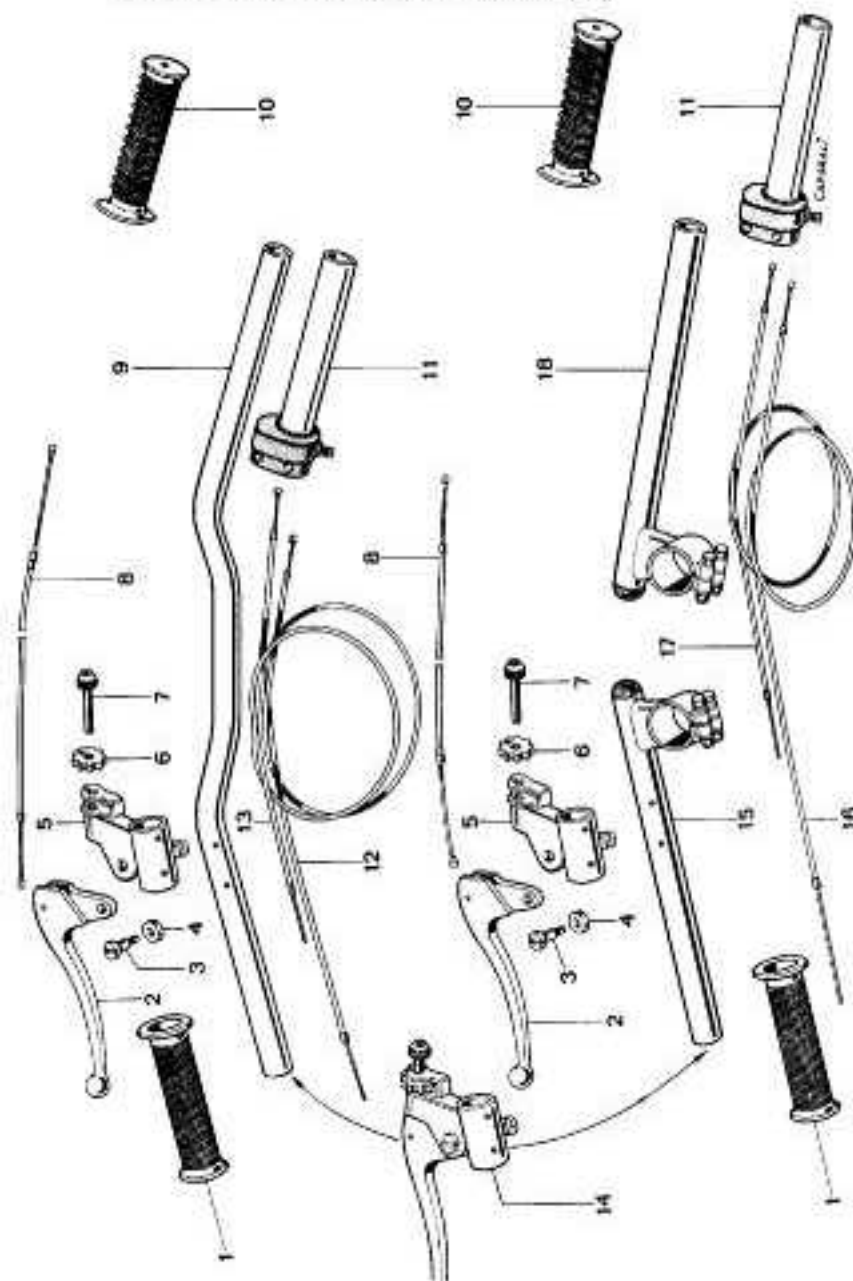
No.	Code	Denominazione	Description
1	41.02.17	Leva sinistra	Left-hand lever
2	41.02.06	Vite fissaggia leva	Lever securing screw
3	41.02.07	Dado fissaggia leva	Lever securing nut
4	41.02.30	Supporto orientabile sinistro nudo	Left-hand bar adjustable support
5	41.02.23	Rondella filettata registro trasmissione	Threaded washer for driving gear adj.
6	41.02.22	Registro trasmissione	Cable adjuster
7	41.02.29	Supporto orientabile destro nudo	Right-hand bar adjustable support
8	41.02.18	Leva destra	Right-hand lever
9	41.02.01	Manopola sinistra	Left-hand grip
10	41.01.14	Manubria nudo NORMALE	STANDARD bare handle bar
11	41.02.16	Comando gas nudo	Bare gas control
12	41.02.02	Manopola destra	Right-hand grip
13	41.02.20	Supporto orientabile sinistro completo	Complete adjustable left-hand support
14	41.02.19	Supporto orientabile destro completo	Complete adjustable right-hand support
15	41.01.15	Impugnatura sinistra nuda SPORT	SPORT bare left-hand grip
16	41.01.16	Impugnatura destra nuda SPORT	SPORT bare right-hand grip

Table 20B: Handlebars (Disk brake)

MANUBRIO 350 NORMALE (con 1 freno a disco)
STANDARD 350 HANDLE BAR with 1 disk brake)

MANUBRIO 350 SPORT (con 1 freno a disco)
SPORT 350 HANDLE BAR (with 1 disk brake)

TAVOLA N. 20 B
TABLE No. 20 B



No.	Code	Denominazione	Description
1	41.02.01	Manopola sinistra	Left-hand grip
2	41.02.17	Leva sinistra	Left-hand lever
3	41.02.06	Vite fissaggio leva	Lever securing screw
4	41.02.07	Dado fissaggio leva	Lever securing nut
5	41.02.30	Supporto orientabile sinistro nudo	Bare left-hand adjustable support
6	41.02.23	Rondella filettata registro trasmissione	Threaded washer for driving gear adj.
7	41.02.22	Registro trasmissione	Driving gear adjuster
8	36.01.20	Trasmissione frizione	Clutch drive
9	41.01.14	Manubrio nudo NORMALE	STANDARD bare handle bar
10	41.02.02	Manopola destra	Right-hand grip
11	41.02.16	Comando gas nudo	Bare gas control
12	36.01.21	Trasmissione carburatore lunga NORMALE	STANDARD long carburettor cable
13	36.01.22	Trasmissione carburatore corta NORMALE	STANDARD short carburettor cable
14	41.02.20	Supporto orientabile sinistro completo	Complete left-hand adjustable support
15	41.01.15	Impugnatura sinistra nuda SPORT	SPORT bare left-hand grip
16	36.01.25	Trasmissione carburatore lunga SPORT	SPORT long carburettor cable
17	36.01.26	Trasmissione carburatore corta SPORT	SPORT short carburettor cable
18	41.01.16	Impugnatura destra nuda SPORT	SPORT bare right-hand grip
	41.01.18	Impugnatura destra compl. SPORT	SPORT complete right-hand grip
	41.01.19	Impugnatura sinistra compl. SPORT	SPORT complete left-hand grip
	41.01.20	Manubrio compl. NORMALE	STANDARD complete handle bar